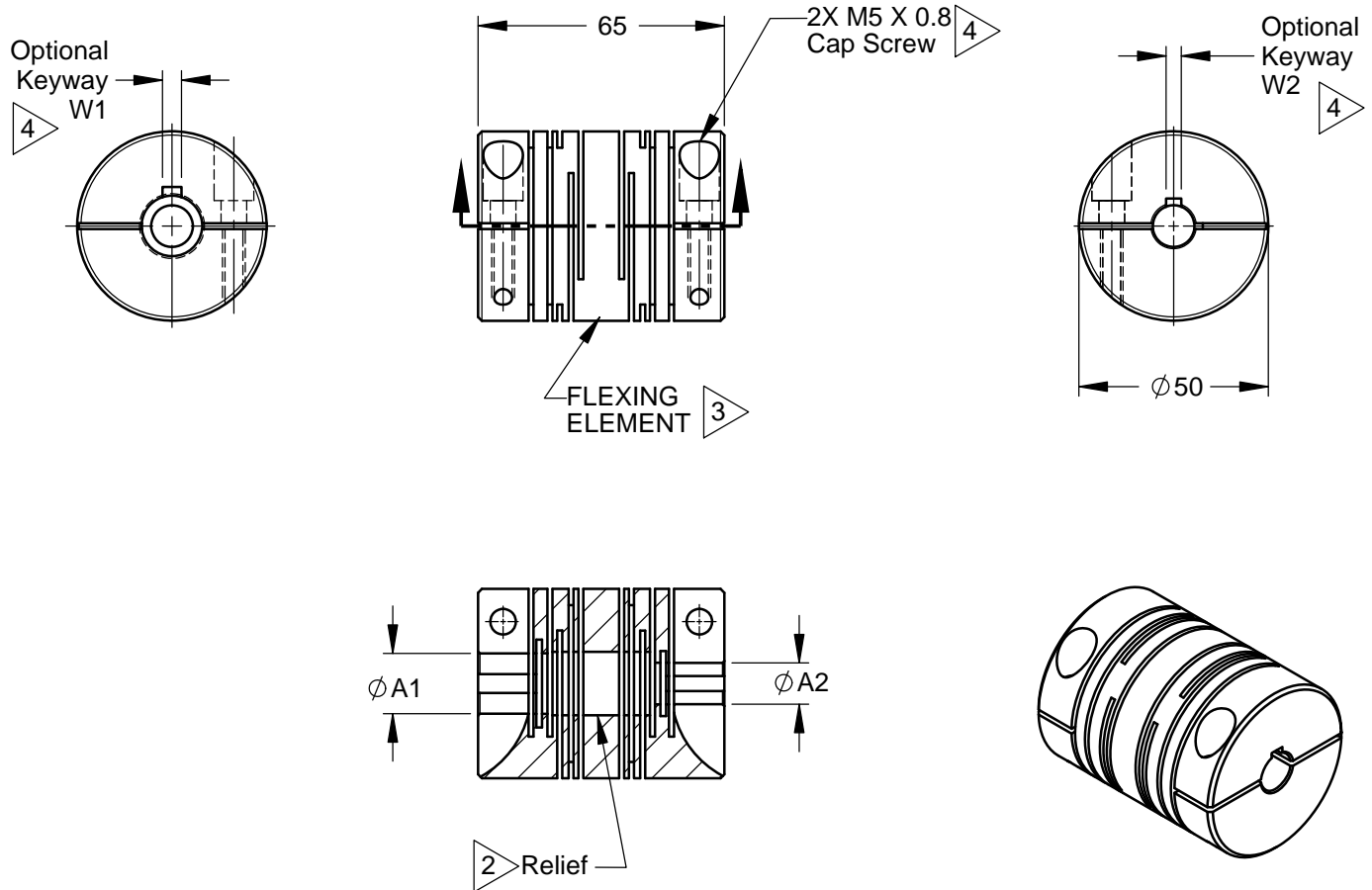


NOTES:

- 1 Refer to Secondary Sheet for Tabulated Data.
- 2 Relief permits component shafts to near butt.
- 3 Hubs and Flexing Element are made from a single piece of material.
- 4 Optional Keyway(s) with Integral Clamp attachment, hex. socket, ISO std., cap screw furnished: both hubs.
- 5 Backlash: None. No lubrication required.
- 6 Permitted axial motion from free length: ± 0.25
- 7 RPM: Up to 10,000, depending upon application.
- 8 Torsional Flexibility: .029 deg/Nm
- 9 Working torque rating: 10.0 Nm
- 10 Permissible shaft misalignment: Angular, up to 3°
Offset, up to 0.20 (FIM, 0.40)



NOTICE: THE INFORMATION AND DATA CONTAINED HEREIN IS CONSIDERED PROPRIETARY TO HELICAL PRODUCTS COMPANY, INC., AND SHALL REMAIN THE EXCLUSIVE PROPERTY OF HELICAL. THE HOLDER WILL ASSUME CUSTODY AND CONTROL THAT THIS DOCUMENT WILL NOT BE COPIED, REPRODUCED OR DISCLOSED WITHOUT THE EXPRESS WRITTEN CONSENT OF HELICAL. POSSESSION OF THIS DOCUMENT DOES NOT CONSTITUTE A GRANT TO MANUFACTURE ANY ITEM. Copyright HELICAL PRODUCTS CO. INC.

07-17-13	---	Redrawn in Solidworks	CL	JAJ EK
01-25-10	---	Added FLEXING ELEMENT; Finish was Chromic Acid Anodize, Type 1; Updated GD&T	JAJ	HG
DATE	LTR	REVISION	APVR	

Unless otherwise specified all tolerances and dimensions are in millimeters.

Inch	Metric
X/XX \pm 1/64	X \pm 0.5mm
.XX \pm .01	X.X \pm 0.25mm
.XXX \pm .005	X.XX \pm 0.15mm
Angles $\pm 2^\circ$	

Break sharp corners 0.25 MAX
All surface finish 63 roughness
Do Not Scale Drawing

 HELICAL PRODUCTS COMPANY, INC.		901 West McCoy Lane P.O. BOX 1069 SANTA MARIA, CA. 93456 U.S.A. PHONE (805) 928-3851 FSC13201	
		DRAWN BY BJM	DATE 12-08-99
CHECKED BY MC	DATE 12-13-99	MATL 7075-T6 Aluminum Alloy	
APPRVD BY DH	DATE 12-20-99	FINISH Anodize IAW HPS1000	
WEIGHT (calculated) TBD		DRAWING NUMBER XCA50	REV
SHEET 1 of 3			

TABULATED DATA

Copyright HELICAL PRODUCTS CO INC

MATERIAL: 7075-T6 Aluminum Alloy

FINISH: Anodize IAW HPS1000

Drawing Number

XCA50

REV

DO NOT SCALE DRAWING

SHT 2 of 3

ITEM DESCRIPTION (Part Number)	BORE SIZES		KEYWAY Width	
	TOLERANCE		TOLERANCE	
	$\phi A1$	$\phi A2$	W1	W2
XCA50-12mmQ4-12mmQ4	12.00mm	12.00mm	4.00mm	4.00mm
XCA50-12mm-12mm	12.00mm	12.00mm	---	---
XCA50-16K3-12mmQ4	.500in	12.00mm	.125in	4.00mm
XCA50-16K3-12mmQ5	.500in	12.00mm	.125in	5.00mm
XCA50-16-16	.500in	.500in	---	---
XCA50-14mm-12mm	14.00mm	12.00mm	---	---
XCA50-14mmQ5-12mm	14.00mm	12.00mm	5.00mm	---
XCA50-14mm-16	14.00mm	.500in	---	---
XCA50-14mm-14mm	14.00mm	14.00mm	---	---
XCA50-15mm-12mm	15.00mm	12.00mm	---	---
XCA50-15mm-14mm	15.00mm	14.00mm	---	---
XCA50-15mm-15mm	15.00mm	15.00mm	---	---
XCA50-20-14	.625in	.438in	---	---
XCA50-20-16	.625in	.500in	---	---
XCA50-20-20	.625in	.625in	---	---
XCA50-16mm-14mm	16.00mm	14.00mm	---	---
XCA50-16mm-15mm	16.00mm	15.00mm	---	---
XCA50-16mm-16mm	16.00mm	16.00mm	---	---
XCA50-16mmQ5-16mmQ5	16.00mm	16.00mm	5.00mm	5.00mm
XCA50-18mmK3-16K3	18.00mm	.500in	.125in	.125in
XCA50-18mmK3-16mmK3	18.00mm	16.00mm	.125in	.125in
XCA50-18mmQ6-18mmQ6	18.00mm	18.00mm	6.00mm	6.00mm
XCA50-19mm-12mm	19.00mm	12.00mm	---	---
XCA50-19mm-16	19.00mm	.500in	---	---
XCA50-19mmQ6-15mmQ5	19.00mm	15.00mm	6.00mm	5.00mm
XCA50-19mm-16mm	19.00mm	16.00mm	---	---
XCA50-19mm-18mm	19.00mm	18.00mm	---	---
XCA50-19mmQ6-19mmQ6	19.00mm	19.00mm	6.00mm	6.00mm
XCA50-19mm-19mm	19.00mm	19.00mm	---	---
XCA50-24K4-20K4	.750in	.625in	.188in	.188in
XCA50-24-20	.750in	.625in	---	---
XCA50-24K4-24K4	.750in	.750in	.188in	.188in
XCA50-24-24	.750in	.750in	---	---

TABULATED DATA

Copyright HELICAL PRODUCTS CO INC

MATERIAL: 7075-T6 Aluminum Alloy

FINISH: Anodize IAW HPS1000

Drawing Number

XCA50

REV

DO NOT SCALE DRAWING

SHT 3 of 3

ITEM DESCRIPTION (Part Number)	BORE SIZES		KEYWAY Width	
	TOLERANCE		TOLERANCE	
	$\phi A1$	$\phi A2$	W1	W2
XCA50-20mmQ6-11mmQ4	20.00mm	11.00mm	6.00mm	4.00mm
XCA50-20mm-12mm	20.00mm	12.00mm	---	---
XCA50-20mm-16	20.00mm	.500in	---	---
XCA50-20mmQ6-14mmQ5	20.00mm	14.00mm	6.00mm	5.00mm
XCA50-20mmQ6-16mmQ5	20.00mm	16.00mm	6.00mm	5.00mm
XCA50-20mm-16mm	20.00mm	16.00mm	---	---
XCA50-20mmQ6-17mm	20.00mm	17.00mm	6.00mm	---
XCA50-20mmQ6-19mmQ6	20.00mm	19.00mm	6.00mm	6.00mm
XCA50-20mm-19mm	20.00mm	19.00mm	---	---
XCA50-20mmQ6-20mmQ6	20.00mm	20.00mm	6.00mm	6.00mm
XCA50-20mm-20mm	20.00mm	20.00mm	---	---
XCA50-21mm-14mm	21.00mm	14.00mm	---	---
XCA50-22mm-16	22.00mm	.500in	---	---
XCA50-22mm-14mm	22.00mm	14.00mm	---	---
XCA50-22mm-15mm	22.00mm	15.00mm	---	---
XCA50-22mm-16mm	22.00mm	16.00mm	---	---
XCA50-22mmQ6-17mmQ5	22.00mm	17.00mm	6.00mm	5.00mm
XCA50-22mmQ6-20mmQ6	22.00mm	20.00mm	6.00mm	6.00mm
XCA50-22mm-20mm	22.00mm	20.00mm	---	---
XCA50-22mm-22mm	22.00mm	22.00mm	---	---
XCA50-28-16	.875in	.500in	---	---
XCA50-28-20	.875in	.625in	---	---
XCA50-28-16mm	.875in	16.00mm	---	---
XCA50-28-24	.875in	.750in	---	---
XCA50-28-28	.875in	.875in	---	---
XCA50-BLANK	"WAB"	none	---	---