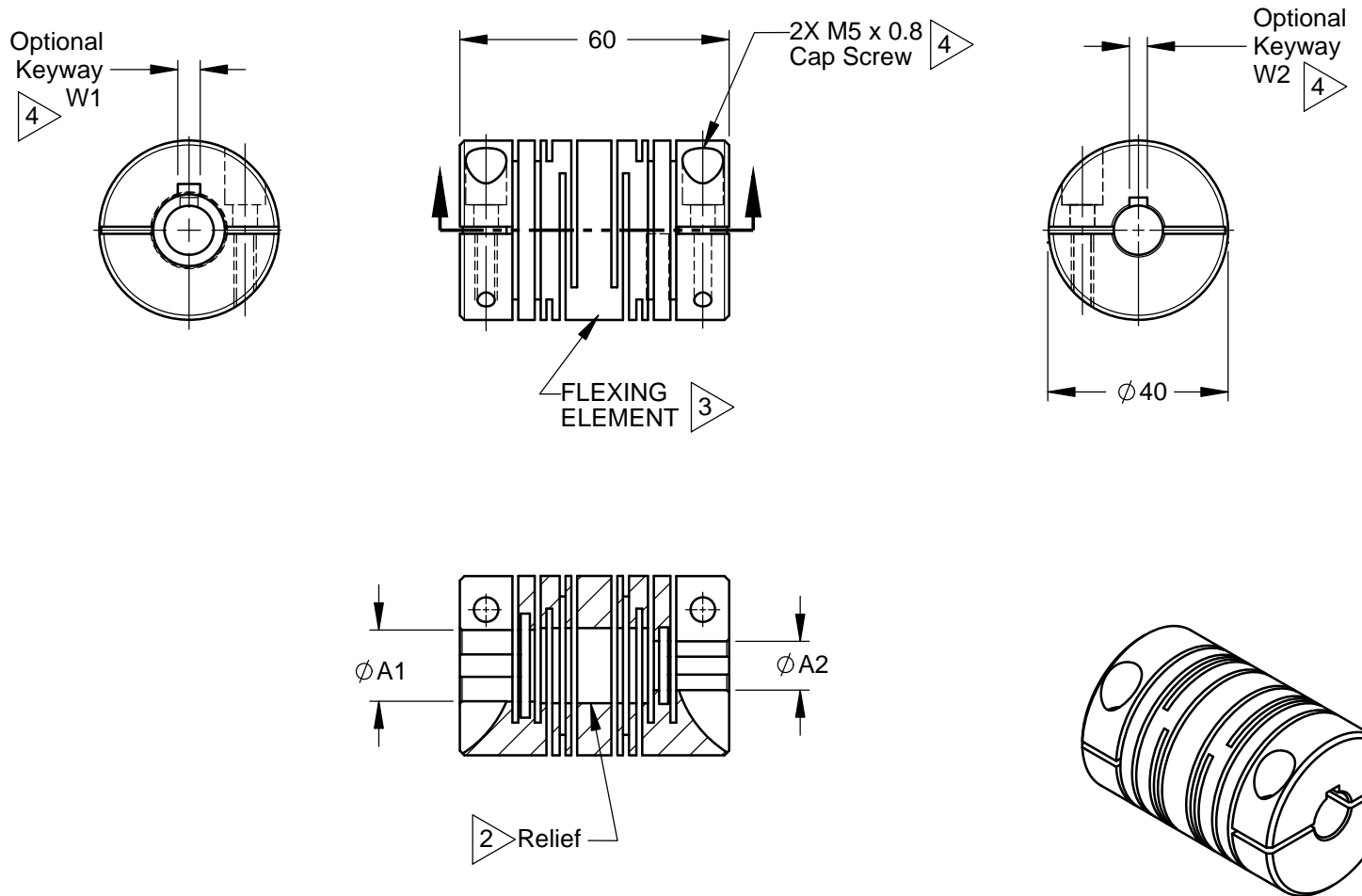


NOTES:

- 1 Refer to Secondary Sheet for Tabulated Data.
- 2 Relief permits component shafts to near butt.
- 3 Hubs and Flexing Element are made from a single piece of material.
- 4 Optional Keyway(s) with Integral Clamp attachment, hex. socket, ISO std., cap screw furnished: both hubs.
- 5 Backlash: None. No lubrication required.
- 6 Permitted axial motion from free length: ± 0.25
- 7 RPM: Up to 10,000, depending upon application.
- 8 Torsional Flexibility: .066 deg/Nm
- 9 Working torque rating: 5.0 Nm
- 10 Permissible shaft misalignment: Angular, up to 3°
Offset, up to 0.20 (FIM, 0.40)



NOTICE: THE INFORMATION AND DATA CONTAINED HEREIN IS CONSIDERED PROPRIETARY TO HELICAL PRODUCTS COMPANY, AND SHALL REMAIN THE EXCLUSIVE PROPERTY OF HELICAL. THE HOLDER WILL ASSUME CUSTODY AND CONTROL THAT THIS DOCUMENT WILL NOT BE COPIED, REPRODUCED OR DISCLOSED WITHOUT THE EXPRESS WRITTEN CONSENT OF HELICAL. POSSESSION OF THIS DOCUMENT DOES NOT CONSTITUTE A GRANT TO MANUFACTURE ANY ITEM. Copyright HELICAL PRODUCTS CO.

09-20-12	---	Redrawn in Solidworks	JAJ	BAB EK
01-25-10	---	Revised IAW ECR#09121602	JAJ	HG
DATE	LTR	REVISION	APVR	

Unless otherwise specified all tolerances and dimensions are in millimeters.

Inch	Metric
X/XX= $\pm 1/64$	X= ± 0.5 mm
.XX= $\pm .01$	X.X= ± 0.25 mm
.XXX= $\pm .005$	X.XX= ± 0.15 mm
Angles $\pm 2^\circ$	

Break sharp corners 0.25 MAX
All surface finish 63 roughness
Do Not Scale Drawing

		901 West McCoy Lane P.O. BOX 1069 SANTA MARIA, CA. 93456 U.S.A. PHONE (805) 928-3851 FSC13201	
		HELICAL PRODUCTS COMPANY	
DRAWN BY	DATE	TITLE	
BJM	12-08-99	HELICAL FLEXIBLE SHAFT COUPLING	
CHECKED BY	DATE	MATL	
MC	12-13-99	7075-T6 Aluminum Alloy	
APPRVD BY	DATE	FINISH	
DH	12-20-99	Anodize IAW HPS1000	
WEIGHT (calculated)		DRAWING NUMBER	
177g		XCA40	
SHEET 1 of 2		REV	

TABULATED DATA

Copyright HELICAL PRODUCTS CO INC

MATERIAL: 7075-T6 Aluminum Alloy

FINISH: Anodize IAW HPS1000

Drawing Number

XCA40

REV

DO NOT SCALE DRAWING

SHT 2 of 2

ITEM DESCRIPTION (Part Number)	BORE SIZES		KEYWAY Width	
	TOLERANCE		TOLERANCE	
	ϕ A1	ϕ A2	W1	W2
XCA40-10mm-6	10.00mm	.188in	---	---
XCA40-10mmQ3-12W03	10.00mm	.375in	3.00mm	.095in
XCA40-10mm-10mm	10.00mm	10.00mm	---	---
XCA40-10mmQ3-10mm	10.00mm	10.00mm	3.00mm	---
XCA40-11mm-7mmQ2	11.00mm	7.00mm	---	2.00mm
XCA40-11mm-10mm	11.00mm	10.00mm	---	---
XCA40-11mmQ4-10mmQ3	11.00mm	10.00mm	4.00mm	3.00mm
XCA40-11mmQ4-11mmQ4	11.00mm	11.00mm	4.00mm	4.00mm
XCA40-12mm-6	12.00mm	.188in	---	---
XCA40-12mm-8	12.00mm	.250in	---	---
XCA40-12mm-10mm	12.00mm	10.00mm	---	---
XCA40-12mm-12mm	12.00mm	12.00mm	---	---
XCA40-16-12	.500in	.375in	---	---
XCA40-16W04-12	.500in	.375in	.126	---
XCA40-16K3-12mmQ4	.500in	12.00mm	.125	4.00mm
XCA40-16-16	.500in	.500in	---	---
XCA40-14mmQ5-6	14.00mm	.188in	5.00mm	---
XCA40-14mm-6mm	14.00mm	6.00mm	---	---
XCA40-14mm-8	14.00mm	.250in	---	---
XCA40-14mmQ5-8	14.00mm	.250in	5.00mm	---
XCA40-14mm-8mm	14.00mm	8.00mm	---	---
XCA40-14mm-12	14.00mm	.375in	---	---
XCA40-14mm-10mm	14.00mm	10.00mm	---	---
XCA40-14mmQ5-10mmQ3	14.00mm	10.00mm	5.00mm	3.00mm
XCA40-14mm-14	14.00mm	.438in	---	---
XCA40-14mm-12mm	14.00mm	12.00mm	---	---
XCA40-14mmQ5-12mmQ4	14.00mm	12.00mm	5.00mm	4.00mm
XCA40-14mmQ5-12mmQ5	14.00mm	12.00mm	5.00mm	5.00mm
XCA40-14mm-16	14.00mm	.500in	---	---
XCA40-14mm-14mm	14.00mm	14.00mm	---	---
XCA40-14mmQ5-14mmQ5	14.00mm	14.00mm	5.00mm	5.00mm
XCA40-15mmQ5-8mm	15.00mm	8.00mm	5.00mm	---
XCA40-15mm-10mm	15.00mm	10.00mm	---	---
XCA40-15mm-15mm	15.00mm	15.00mm	---	---
XCA40-20-10mm	.625in	10.00mm	---	---
XCA40-20-16	.625in	.500in	---	---
XCA40-20-20	.625in	.625in	---	---
XCA40-20K4-20K4	.625in	.625in	.188in	.188in
XCA40-16mm-9.5mm	16.00mm	9.50mm	---	---
XCA40-16mm-10mm	16.00mm	10.00mm	---	---
XCA40-16mmQ5-10mmQ3	16.00mm	10.00mm	5.00mm	3.00mm
XCA40-16mmQ5-11mmQ4	16.00mm	11.00mm	5.00mm	4.00mm
XCA40-16mm-14mm	16.00mm	14.00mm	---	---
XCA40-16mm-16mm	16.00mm	16.00mm	---	---
XCA40-16mmK4-16mmK4	16.00mm	16.00mm	.188in	.188in
XCA40-16mmQ5-16mm	16.00mm	16.00mm	5.00mm	---
XCA40-16mmQ5-16mmQ5	16.00mm	16.00mm	5.00mm	5.00mm
XCA40-17mm-10mm	17.00mm	10.00mm	---	---
XCA40-17mm-12mm	17.00mm	12.00mm	---	---