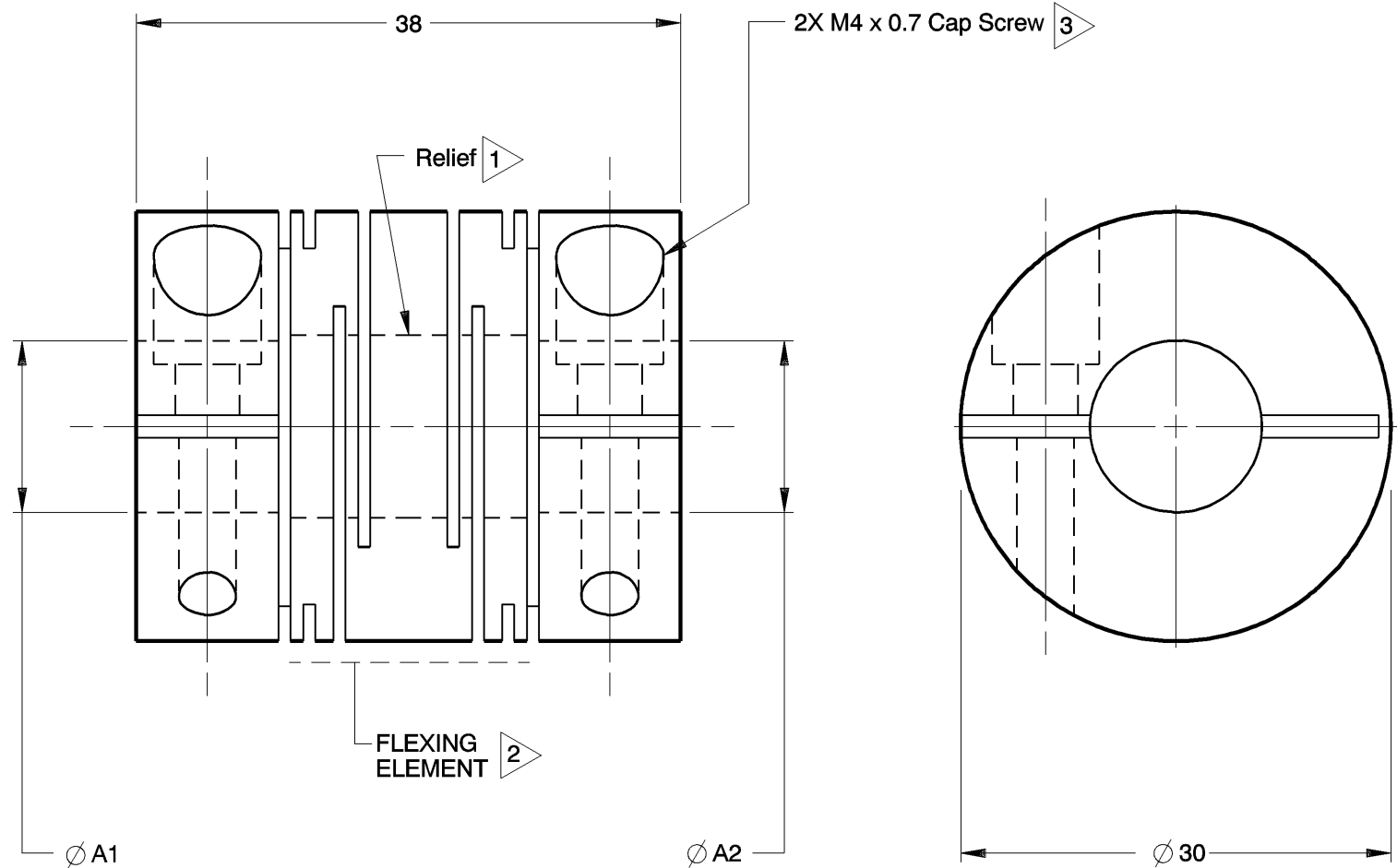


NOTES: See Tabulated Sheet

- 1 Relief permits component shafts to near butt.
- 2 Hubs and flexing elements are made from a single piece of material.
- 3 Integral Clamp attachment, hex. socket, ISO std., cap screw furnished: both hubs.
- 4 Backlash: None. No lubrication required.
- 5 Permitted axial motion from free length: ± 0.25mm
- 6 RPM: Up to 10,000, depending upon application.
- 7 Working torque: 2.0Nm
- 8 Torsional stiffness: 0.13 deg/Nm
- 9 Permissible shaft misalignment:
Angular, up to 3 degrees
Offset, up to 0.15mm (TIR, 0.30mm)



XCA30-12mm-12mm SHOWN

NOTICE: THE INFORMATION AND DATA CONTAINED HEREIN IS CONSIDERED PROPRIETARY TO HELICAL PRODUCTS COMPANY, INC., AND SHALL REMAIN THE EXCLUSIVE PROPERTY OF HELICAL. THE HOLDER WILL ASSUME CUSTODY AND CONTROL THAT THIS DOCUMENT WILL NOT BE COPIED, REPRODUCED OR DISCLOSED WITHOUT THE EXPRESS WRITTEN CONSENT OF HELICAL. POSSESSION OF THIS DOCUMENT DOES NOT CONSTITUTE A GRANT TO MANUFACTURE ANY ITEMS.

DO NOT SCALE DRAWING.

01-25-10	---	Added FLEXING ELEMENT, Finish was Chromic Acid Anodize, Type I; Updated GD&T	JAJ	HG
DATE	LTR	REVISION	CHK	

Unless otherwise noted dimensions in millimeters.
Tolerances are:
Decimals: X ± .5mm
 X.X ± .25mm
 X.XX ± .15mm
Angles: ± 2 degrees
Break sharp corners .25mm max.

APPROVALS	DATE
DRAWN BJM	12-8-99
CHECKED MC	12-13-99
PRODN DH	12-20-99
ISSUED	
WEIGHT	60g (calc)
SCALE 2/1	SIZE A

<p>HELICAL PRODUCTS CO., INC. P.O. BOX 1069 SANTA MARIA, CA. 93456 U.S.A PHONE (805) 928-3851 FSC13201</p>		TITLE	HELICAL FLEXIBLE SHAFT COUPLING
		MATERIAL	7075-T6 Aluminum Alloy
		FINISH	Anodize per HPS1000
DWG NO		XCA30	

Printed 1/4/2010 2:53:05 PM by JulesJ

ADDITION DATE	PART NUMBER	BORE TOLERANCES		COMMENTS	A1	A2
		∅A1	∅A2			
8 DEC 99	XCA30-9mm-9mm	9.00mm	9.00mm			
8 DEC 99	XCA30-10mm-9mm	10.00mm	9.00mm			
8 DEC 99	XCA30-10mm-10mm	10.00mm	10.00mm			
8 DEC 99	XCA30-12mm-9mm	12.00mm	9.00mm			
8 DEC 99	XCA30-12mm-10mm	12.00mm	10.00mm			
8 DEC 99	XCA30-12mm-12mm	12.00mm	12.00mm			
8 DEC 99	XCA30-12-12	.375in	.375in			
8 DEC 99	XCA30-16-12	.500in	.375in			
8 DEC 99	XCA30-16-16	.500in	.500in			
8 DEC 99	XCA30-12-8	.375in	.250in			
8 DEC 99	XCA30-16-9mm	.500in	9.00mm			
26 JAN 00	XCA30-9mm-10	9.00mm	.313in			
27 MAR 00	XCA30-16-12mm	.500in	12.00mm			
26 OCT 00	XCA30-12mm-10	12.00mm	.313in			
16 MAR 01	XCA30-16-12	.500in	.375in			
16 MAR 01	XCA30-10mm-10mm	10.00mm	10.00mm			
16 MAR 01	XCA30-11mm-10mm	11.00mm	10.00mm			
16 MAR 01	XCA30-11mm-9mm	11.00mm	9.00mm			
16 MAR 01	XCA30-12mm-10mm	12.00mm	10.00mm			
12 APR 01	XCA30-12mm-8	12.00mm	.250in			
1 JUN 01	XCA30-16-8	.500in	.250in			
13 JUL 01	XCA30-11mm-6mm	11.00mm	6.00mm			
30 JUL 01	XCA30-16-9.5mm	.500in	9.50mm			
15 NOV 01	XCA30-10mm-12	10.00mm	.375in			
17 DEC 01	XCA30-8mm-8	8.00mm	.250in			
13 MAR 02	XCA30-16-9.37mm	.500in	9.37mm			
24 OCT 02	XCA30-10mm-9mm	10.00mm	9.00mm			
19 MAR 03	XCA30-12-8mm	.375in	8.00mm			
2 APR 03	XCA30-11mm-11mm	11.00mm	11.00mm			
22 OCT 04	XCA30-16-10mm	.500in	10.00mm			
6 MAR 06	XCA30-12mm-12	12.00mm	.375in			
2 FEB 07	XCA30-10mm-8mm	10.00mm	8.00mm			

NOTICE: THE INFORMATION AND DATA CONTAINED HEREIN IS CONSIDERED PROPRIETARY TO HELICAL PRODUCTS COMPANY, INC., AND SHALL REMAIN THE EXCLUSIVE PROPERTY OF HELICAL. THE HOLDER WILL ASSUME CUSTODY AND CONTROL THAT THIS DOCUMENT WILL NOT BE COPIED, REPRODUCED OR DISCLOSED WITHOUT THE EXPRESS WRITTEN CONSENT OF HELICAL. POSSESSION OF THIS DOCUMENT DOES NOT CONSTITUTE A GRANT TO MANUFACTURE ANY ITEMS.

APPROVALS	DATE	HELICAL PRODUCTS CO. INC P.O. BOX 1069 SANTA MARIA, CA. 93456 U.S.A PHONE (805) 928-3851 FSCI3201
DRAWN BJM	12-8-99	
CHECKER MC	12-13-99	TITLE HELICAL FLEXIBLE SHAFT COUPLING
PRODN DH	12-20-99	TABULATED BORE SIZES
ISSUED		DWG NO XCA30

Printed 1/4/2010 2:53:05 PM by JulesJ

TABULATED DATA

Copyright HELICAL PRODUCTS CO INC

MATERIAL: 7075-T6 Aluminum Alloy

FINISH: Anodize IAW HPS1000

Drawing Number

XCA30

REV

DO NOT SCALE DRAWING

SHT 1 of 1

ITEM DESCRIPTION (Part Number)	BORE SIZES	
	<small>TOLERANCE</small> <small>+0.002in</small> <small>-0.000</small>	<small>+0.05mm</small> <small>0</small>
	∅ A1	∅ A2
XCA30-10mm-8	10.00mm	.250in
XCA30-9mm-8mm	9.00mm	8.00mm
XCA30-12mm-8mm	12.00mm	8.00mm