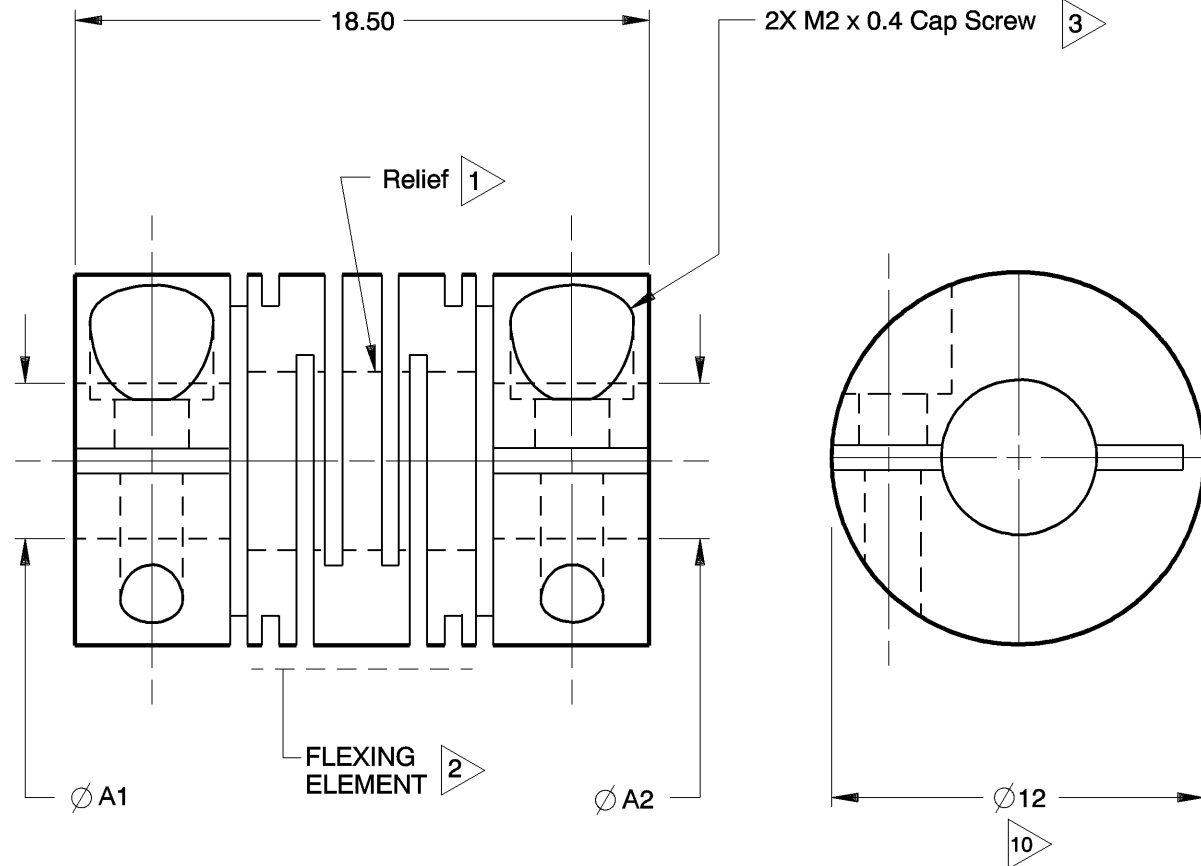


NOTES: See Tabulated Sheet

- 1 Relief permits component shafts to near butt.
- 2 Hubs and flexing elements are made from a single piece of material.
- 3 Integral Clamp attachment, hex. socket, ISO std., cap screw furnished: both hubs.
- 4 Backlash: None. No lubrication required.
- 5 Permitted axial motion from free length: $\pm 0.25\text{mm}$
- 6 RPM: Up to 10,000, depending upon application.
- 7 Working torque: 0.20Nm
- 8 Torsional stiffness: 1.82 deg/Nm
- 9 Permissible shaft misalignment:
Angular, up to 3 degrees
Offset, up to 0.10mm (TIR, 0.20mm)
- 10 Clearance Diameter: 14.36mm



XCA12-5mm-5mm

NOTICE: THE INFORMATION AND DATA CONTAINED HEREIN IS CONSIDERED PROPRIETARY TO HELICAL PRODUCTS COMPANY, INC., AND SHALL REMAIN THE EXCLUSIVE PROPERTY OF HELICAL. THE HOLDER WILL ASSUME CUSTODY AND CONTROL THAT THIS DOCUMENT WILL NOT BE COPIED, REPRODUCED OR DISCLOSED WITHOUT THE EXPRESS WRITTEN CONSENT OF HELICAL. POSSESSION OF THIS DOCUMENT DOES NOT CONSTITUTE A GRANT TO MANUFACTURE ANY ITEMS.

DO NOT SCALE DRAWING.

01-25-10	---	Added FLEXING ELEMENT, Finish was Chromic Acid Anodize, Type I; Updated GD&T	JAJ	HG
DATE	LTR	REVISION	CHK	

Unless otherwise noted dimensions in millimeters.
Tolerances are:
Decimals: $X \pm .5\text{mm}$
 $X.X \pm .25\text{mm}$
 $X.XX \pm .15\text{mm}$
Angles: ± 2 degrees
Break sharp corners .25mm max.

APPROVALS	DATE
DRAWN DRW	5-1-02
CHECKED MC	5-15-02
PRODN DH	5-15-02
ISSUED	
WEIGHT	4.5g (calc)
SCALE 4/1	SIZE A

<p>HELICAL PRODUCTS CO., INC. P.O. BOX 1069 SANTA MARIA, CA. 93456 U.S.A PHONE (805) 928-3851 FSC13201</p>		TITLE	HELICAL FLEXIBLE SHAFT COUPLING
		MATERIAL	7075-T6 Aluminum Alloy
		FINISH	Anodize per HPS1000
DWG NO		XCA12	

Printed 1/7/2010 2:22:23 PM by JulesJ

ADDITION DATE	PART NUMBER	BORE TOLERANCES		COMMENTS	A1	A2
		∅A1	∅A2			
1 MAY 02	XCA12-5mm-5mm	5.00mm	5.00mm			
23 MAY 02	XCA12-3mm-2mm	3.00mm	2.00mm			
23 MAY 02	XCA12-3mm-3mm	3.00mm	3.00mm			
23 MAY 02	XCA12-4mm-2mm	4.00mm	2.00mm			
23 MAY 02	XCA12-4mm-3mm	4.00mm	3.00mm			
23 MAY 02	XCA12-4mm-4mm	4.00mm	4.00mm			
23 MAY 02	XCA12-5mm-2mm	5.00mm	2.00mm			
23 MAY 02	XCA12-5mm-3mm	5.00mm	3.00mm			
23 MAY 02	XCA12-5mm-4mm	5.00mm	4.00mm			

NOTICE: THE INFORMATION AND DATA CONTAINED HEREIN IS CONSIDERED PROPRIETARY TO HELICAL PRODUCTS COMPANY, INC., AND SHALL REMAIN THE EXCLUSIVE PROPERTY OF HELICAL. THE HOLDER WILL ASSUME CUSTODY AND CONTROL THAT THIS DOCUMENT WILL NOT BE COPIED, REPRODUCED OR DISCLOSED WITHOUT THE EXPRESS WRITTEN CONSENT OF HELICAL. POSSESSION OF THIS DOCUMENT DOES NOT CONSTITUTE A GRANT TO MANUFACTURE ANY ITEMS.

APPROVALS	DATE	HELICAL PRODUCTS CO. INC P.O. BOX 1069 SANTA MARIA, CA. 93456 U.S.A PHONE (805) 928-3851 FSCI3201
DRAWN DRW	5-1-02	
CHECKED MC	5-15-02	TITLE HELICAL FLEXIBLE SHAFT COUPLING
PRODN DH	5-15-02	TABULATED BORE SIZES
ISSUED		DWG NO XCA12
		REV