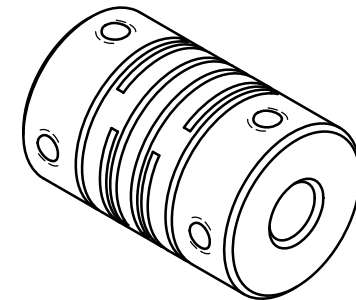
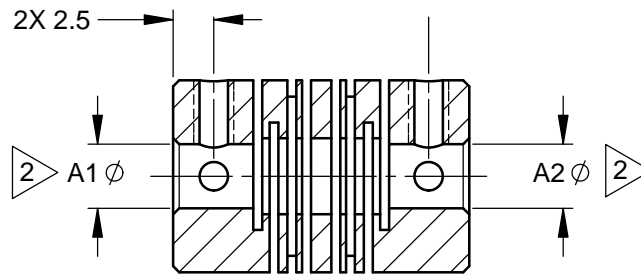
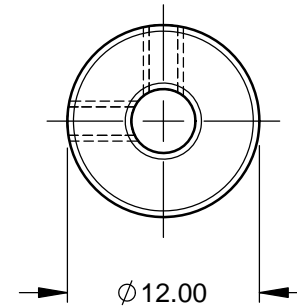
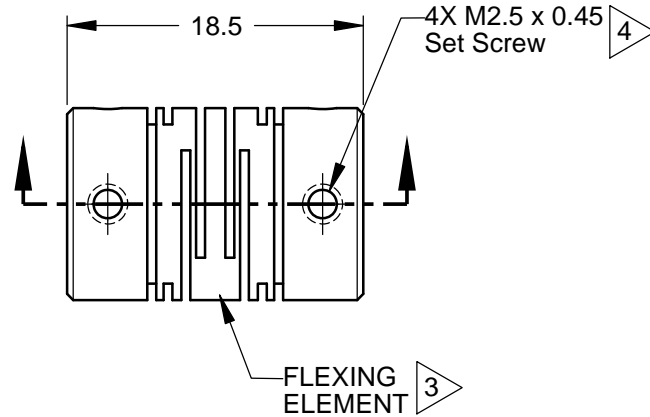


NOTES:

- 1 Refer to Secondary Sheet for Tabulated Data.
- 2 Relief permits component shafts to near butt.
- 3 Hubs and Flexing Element are made from a single piece of material.
- 4 Set Screw attachment, hex. socket, ISO std., cup point set screw furnished: both hubs.
- 5 Backlash: None. No lubrication required.
- 6 Permitted axial motion from free length: ± 0.25
- 7 RPM: Up to 10,000, depending upon application.
- 8 Torsional Flexibility: 2.3 deg/Nm (calc)
- 9 Working torque rating: 0.20 Nm
- 10 Permissible shaft misalignment: Angular, up to 3°
Offset, up to 0.10 (FIM, 0.20)



NOTICE: THE INFORMATION AND DATA CONTAINED HEREIN IS CONSIDERED PROPRIETARY TO HELICAL PRODUCTS COMPANY, INC., AND SHALL REMAIN THE EXCLUSIVE PROPERTY OF HELICAL. THE HOLDER WILL ASSUME CUSTODY AND CONTROL THAT THIS DOCUMENT WILL NOT BE COPIED, REPRODUCED OR DISCLOSED WITHOUT THE EXPRESS WRITTEN CONSENT OF HELICAL. POSSESSION OF THIS DOCUMENT DOES NOT CONSTITUTE A GRANT TO MANUFACTURE ANY ITEM. Copyright HELICAL PRODUCTS CO. INC.

09-04-13	---	Redrawn in Solidworks	CL	EK
01-25-10	---	Added Flexing Element; Finish was Anodize; Updated GD&T	JAJ	HG
DATE	LTR	REVISION	APVR	

Unless otherwise specified all tolerances and dimensions are in millimeters.

Inch	Metric
X/XX \pm 1/64	X \pm 0.5mm
.XX \pm .01	X.X \pm 0.25mm
.XXX \pm .005	X.XX \pm 0.15mm
Angles $\pm 2^\circ$	

Break sharp corners 0.25 MAX
All surface finish 63 roughness
Do Not Scale Drawing

 HELICAL PRODUCTS COMPANY, INC.		901 West McCoy Lane P.O. BOX 1069 SANTA MARIA, CA. 93456 U.S.A. PHONE (805) 928-3851 FSC13201	
DRAWN BY	DATE	TITLE	
DRW	09-06-02	HELICAL FLEXIBLE SHAFT COUPLING	
CHECKED BY	DATE	MATL	
MC	10-03-02	7075-T6 Aluminum Alloy	
APPRVD BY	DATE	FINISH	
DH	10-03-02	Anodize IAW HPS1000	
WEIGHT (calculated)		DRAWING NUMBER	
4.5 g (calc)		XA12	
SHEET 1 of 2		REV	

TABULATED DATA

Copyright HELICAL PRODUCTS CO INC

MATERIAL: 7075-T6 Aluminum Alloy

Drawing Number

REV

XA12

FINISH: Anodize IAW HPS1000

DO NOT SCALE DRAWING

SHT 2 of 2

ITEM DESCRIPTION (Part Number)	BORE SIZES	
	TOLERANCE +0.002in or +0.05mm -0.000 0	
	Ø A1	Ø A2
XA12-4mm-4mm	4.00mm	4.00mm
XA12-5mm-5mm	5.00mm	5.00mm