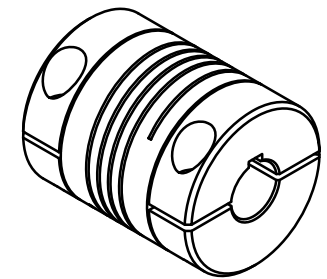
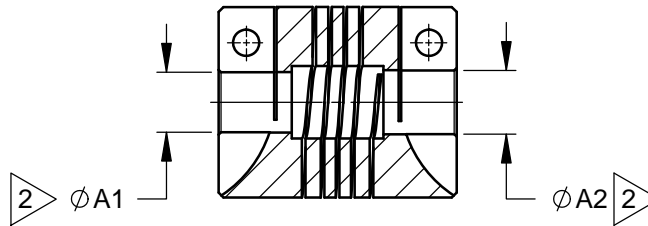
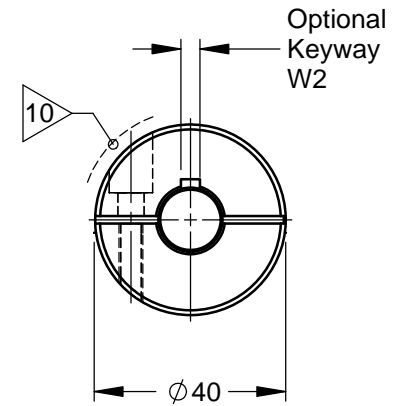
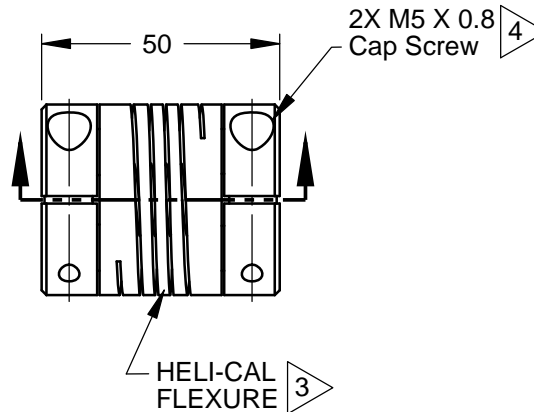
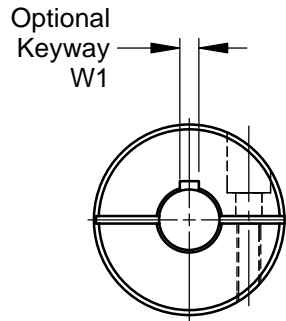


NOTES:

- 1 Refer to Secondary Sheets for Tabulated Data.
- 2 ϕ A1 and ϕ A2 shafts may near butt except:

When any Bore > ϕ 16.00 the MAX shaft penetration is 15.37
or
When both Bores > ϕ 16.00 the MAX shaft penetration is 15.37 & the MIN shaft end to shaft end is 19.26
- 3 Hubs and HELI-CAL FLEXURE are made from a single piece of material.
- 4 Integral Clamp attachment, ISO std., hex. socket, cap screw furnished: both hubs.
- 5 Backlash: None. No lubrication required.
- 6 Permitted axial motion from free length: ± 0.25
- 7 RPM: Up to 10,000, depending upon application.
- 8 Working torque ratings are based upon continuous duty with noted misalignments applied separately and may be increased with improved alignment. Refer to Tabulated Data.
- 9 Permissible shaft misalignment:
Angular, up to 5°
Offset, up to 0.25 (FIM, 0.50)
- 10 Part has a ϕ 46.04 clearance diameter on both ends for any bore > ϕ 18.52 thru ϕ 24.80.



NOTICE: THE INFORMATION AND DATA CONTAINED HEREIN IS CONSIDERED PROPRIETARY TO HELICAL PRODUCTS COMPANY, INC., AND SHALL REMAIN THE EXCLUSIVE PROPERTY OF HELICAL. THE HOLDER WILL ASSUME CUSTODY AND CONTROL THAT THIS DOCUMENT WILL NOT BE COPIED, REPRODUCED OR DISCLOSED WITHOUT THE EXPRESS WRITTEN CONSENT OF HELICAL. POSSESSION OF THIS DOCUMENT DOES NOT CONSTITUTE A GRANT TO MANUFACTURE ANY ITEM.
Copyright
HELICAL PRODUCTS CO. INC.

08-20-13	---	Redrawn in Solidworks	CL
DATE	LTR	REVISION	APVR

Unless otherwise specified all tolerances and dimensions are in millimeters.

Inch	Metric
X/XX \pm 1/64	X \pm 0.5mm
.XX \pm .01	X.X \pm 0.25mm
.XXX \pm .005	X.XX \pm 0.15mm
Angles \pm 2°	

Break sharp corners 0.25 MAX
All surface finish 63 roughness
Do Not Scale Drawing

		901 West McCoy Lane P.O. BOX 1069 SANTA MARIA, CA. 93456 U.S.A. PHONE (805) 928-3851 FSC13201	
		HELICAL PRODUCTS COMPANY	
DRAWN BY	DATE	TITLE	
BJM	09-02-99	HELICAL FLEXIBLE SHAFT COUPLING	
CHECKED BY	DATE	MATL	HT
MC	09-20-99	17-4 PH CRES	
APPRVD BY	DATE	FINISH	Natural
DH	09-28-99		
WEIGHT (calculated)		DRAWING NUMBER	
375g		W7C40	
SHEET 1 of 4		REV	

TABULATED DATA

Copyright HELICAL PRODUCTS CO

MATERIAL: 17-4 PH CRES HT

FINISH: Natural

Drawing Number

W7C40

REV

DO NOT SCALE DRAWING

SHT 2 of 4

ITEM DESCRIPTION (Part Number)	BORE SIZES		TORQUES (Nm)			KEYWAY Width	
	TOLERANCE		Momentary Dynamic	Non- Reversing	Reversing	TOLERANCE	
	$\phi A1$	$\phi A2$				$\begin{matrix} +.002in \\ -.000 \end{matrix}$	$\begin{matrix} +.05mm \\ 0 \end{matrix}$
W7C40-10mm-10mm Superseded	10.00mm	10.00mm	---	---	---	---	---
W7C40-12mm-8mm	12.00mm	8.00mm	23	12	6	---	---
W7C40-12mm-10mm	12.00mm	10.00mm	23	12	6	---	---
W7C40-12mm-12mm	12.00mm	12.00mm	23	12	6	---	---
W7C40-12mmQ4-12mm	12.00mm	12.00mm	23	12	6	4.00mm	---
W7C40-12mmQ4-12mmQ4	12.00mm	12.00mm	23	12	6	4.00mm	4.00mm
W7C40-16-8mm	.500in	8.00mm	22	11	6	---	---
W7C40-16-12	.500in	.375in	22	11	6	---	---
W7C40-16-10mm	.500in	10.00mm	22	11	6	---	---
W7C40-16-16	.500in	.500in	22	11	6	---	---
W7C40-16K3-16K1	.500in	.500in	22	11	6	.125in	.094in
W7C40-16K3-16K3	.500in	.500in	22	11	6	.125in	.125in
W7C40-13mm-13mm	13.00mm	13.00mm	22	11	6	---	---
W7C40-14mm-8mm	14.00mm	8.00mm	21	11	5	---	---
W7C40-14mm-10mm	14.00mm	10.00mm	21	11	5	---	---
W7C40-14mmQ5-10mm	14.00mm	10.00mm	21	11	5	5.00mm	---
W7C40-14mm-11mm	14.00mm	11.00mm	21	11	5	---	---
W7C40-14mmQ5-11mmQ4	14.00mm	11.00mm	21	11	5	5.00mm	4.00mm
W7C40-14mm-12mm	14.00mm	12.00mm	21	11	5	---	---
W7C40-14mmQ5-12mmQ4	14.00mm	12.00mm	21	11	5	5.00mm	4.00mm
W7C40-14mm-16	14.00mm	.500in	21	11	5	---	---
W7C40-14mm-16K3	14.00mm	.500in	21	11	5	---	.125in
W7C40-14mm-14mm	14.00mm	14.00mm	21	11	5	---	---
W7C40-14mmQ5-14mmQ5	14.00mm	14.00mm	21	11	5	5.00mm	5.00mm
W7C40-15mm-12	15.00mm	.375in	20	10	5	---	---
W7C40-15mm-10mm	15.00mm	10.00mm	20	10	5	---	---
W7C40-15mm-11mm	15.00mm	11.00mm	20	10	5	---	---
W7C40-15mm-12mm	15.00mm	12.00mm	20	10	5	---	---
W7C40-15mm-16	15.00mm	.500in	20	10	5	---	---
W7C40-15mm-14mm	15.00mm	14.00mm	20	10	5	---	---
W7C40-15mm-15mm	15.00mm	15.00mm	20	10	5	---	---
W7C40-20-10mm	.625in	10.00mm	19	10	5	---	---
W7C40-20K4-14mmQ5	.625in	14.00mm	19	10	5	.188in	5.00mm
W7C40-20-15mm	.625in	15.00mm	19	10	5	---	---
W7C40-20-20	.625in	.625in	19	10	5	---	---

TABULATED DATA

Copyright HELICAL PRODUCTS CO

MATERIAL: 17-4 PH CRES HT

FINISH: Natural

Drawing Number

W7C40

REV

DO NOT SCALE DRAWING

SHT 3 of 4

ITEM DESCRIPTION (Part Number)	BORE SIZES		TORQUES (Nm)			KEYWAY Width	
	TOLERANCE +0.002in or +0.05mm -0.000 or 0		Momentary Dynamic	Non- Reversing	Reversing	TOLERANCE +0.002in or +0.05mm -0.000in or 0	
	Ø A1	Ø A2				W1	W2
W7C40-16mm-5mm	16.00mm	5.00mm	19	10	5	---	---
W7C40-16mm-6mm	16.00mm	6.00mm	19	10	5	---	---
W7C40-16mm-8mm	16.00mm	8.00mm	19	10	5	---	---
W7C40-16mm-12	16.00mm	.375in	19	10	5	---	---
W7C40-16mm-10mm	16.00mm	10.00mm	19	10	5	---	---
W7C40-16mmQ5-10mmQ3	16.00mm	10.00mm	19	10	5	5.00mm	3.00mm
W7C40-16mm-12mm	16.00mm	12.00mm	19	10	5	---	---
W7C40-16mmQ5-16K3	16.00mm	.500in	19	10	5	5.00mm	.125in
W7C40-16mm-14mm	16.00mm	14.00mm	19	10	5	---	---
W7C40-16mmQ5-18K3	16.00mm	.563in	19	10	5	5.00mm	.125in
W7C40-16mm-15mm	16.00mm	15.00mm	19	10	5	---	---
W7C40-16mmQ5-20Q5	16.00mm	.625in	19	10	5	5.00mm	5.00mm
W7C40-16mm-16mm	16.00mm	16.00mm	19	10	5	---	---
W7C40-16mmQ5-16mmQ5	16.00mm	16.00mm	19	10	5	5.00mm	5.00mm
W7C40-17mm-12mm	17.00mm	12.00mm	19	10	5	---	---
W7C40-18mm-11mm	18.00mm	11.00mm	19	10	5	---	---
W7C40-18mm-12mm	18.00mm	12.00mm	19	10	5	---	---
W7C40-18mmQ6-14mmQ5	18.00mm	14.00mm	19	10	5	6.00mm	5.00mm
W7C40-18mm-15mm	18.00mm	15.00mm	19	10	5	---	---
W7C40-19mmW06-12K3	19.00mm	.375in	19	10	5	.189in	.125in
W7C40-19mm-11mm	19.00mm	11.00mm	19	10	5	---	---
W7C40-19mmW06-12mmK3	19.00mm	12.00mm	19	10	5	.189in	.125in
W7C40-19mm-16	19.00mm	.500in	19	10	5	---	---
W7C40-19mm-14mm	19.00mm	14.00mm	19	10	5	---	---
W7C40-19mm-15mm	19.00mm	15.00mm	19	10	5	---	---
W7C40-19mm-19mm	19.00mm	19.00mm	19	10	5	---	---
W7C40-24-12mm	.750in	12.00mm	19	10	5	---	---
W7C40-24K4-12mmQ4	.750in	12.00mm	19	10	5	.188in	4.00mm
W7C40-20mm-10mm	20.00mm	10.00mm	19	10	5	---	---
W7C40-20mm-12mm	20.00mm	12.00mm	19	10	5	---	---
W7C40-20mm-14mm	20.00mm	14.00mm	19	10	5	---	---
W7C40-20mm-17mm	20.00mm	17.00mm	19	10	5	---	---
W7C40-20mm-20mm	20.00mm	20.00mm	19	10	5	---	---
W7C40-22mmQ6-16K1	22.00mm	.500in	19	10	5	6.00mm	.094in
W7C40-22mm-19mm	22.00mm	19.00mm	19	10	5	---	---
W7C40-28K4-24	.875in	.750in	19	10	5	.188in	---
W7C40-28K4-24K4	.875in	.750in	19	10	5	.188in	.188in

TABULATED DATA

Copyright HELICAL PRODUCTS CO

MATERIAL: 17-4 PH CRES HT

FINISH: Natural

Drawing Number

W7C40

REV

DO NOT SCALE DRAWING

SHT 4 of 4

ITEM DESCRIPTION (Part Number)	BORE SIZES		TORQUES (Nm)			KEYWAY Width	
	TOLERANCE +0.002in or +0.05mm -0.000 or 0		Momentary Dynamic	Non- Reversing	Reversing	TOLERANCE +0.002in or +0.05mm -0.000in or 0	
	Ø A1	Ø A2				W1	W2
W7C40-24mmQ6-16K3	24.00mm	.500in	19	10	5	6.00mm	.125in
W7C40-24mm-15mm	24.00mm	15.00mm	19	10	5	---	---
W7C40-24mm-20	24.00mm	.625in	19	10	5	---	---
W7C40-24mm-19mm	24.00mm	19.00mm	19	10	5	---	---
W7C40-24mm-28	24.00mm	.875in	19	10	5	---	---
W7C40-24mm-24mm	24.00mm	24.00mm	19	10	5	---	---
W7C40/W740-BLANK	---	---	19	10	5	---	---
W7C40-BLANK (NON STD)	16.70mm	.359in	19	10	5	---	---
W7C40-BLANK (STD)	.375in	.221in	19	10	5	---	---