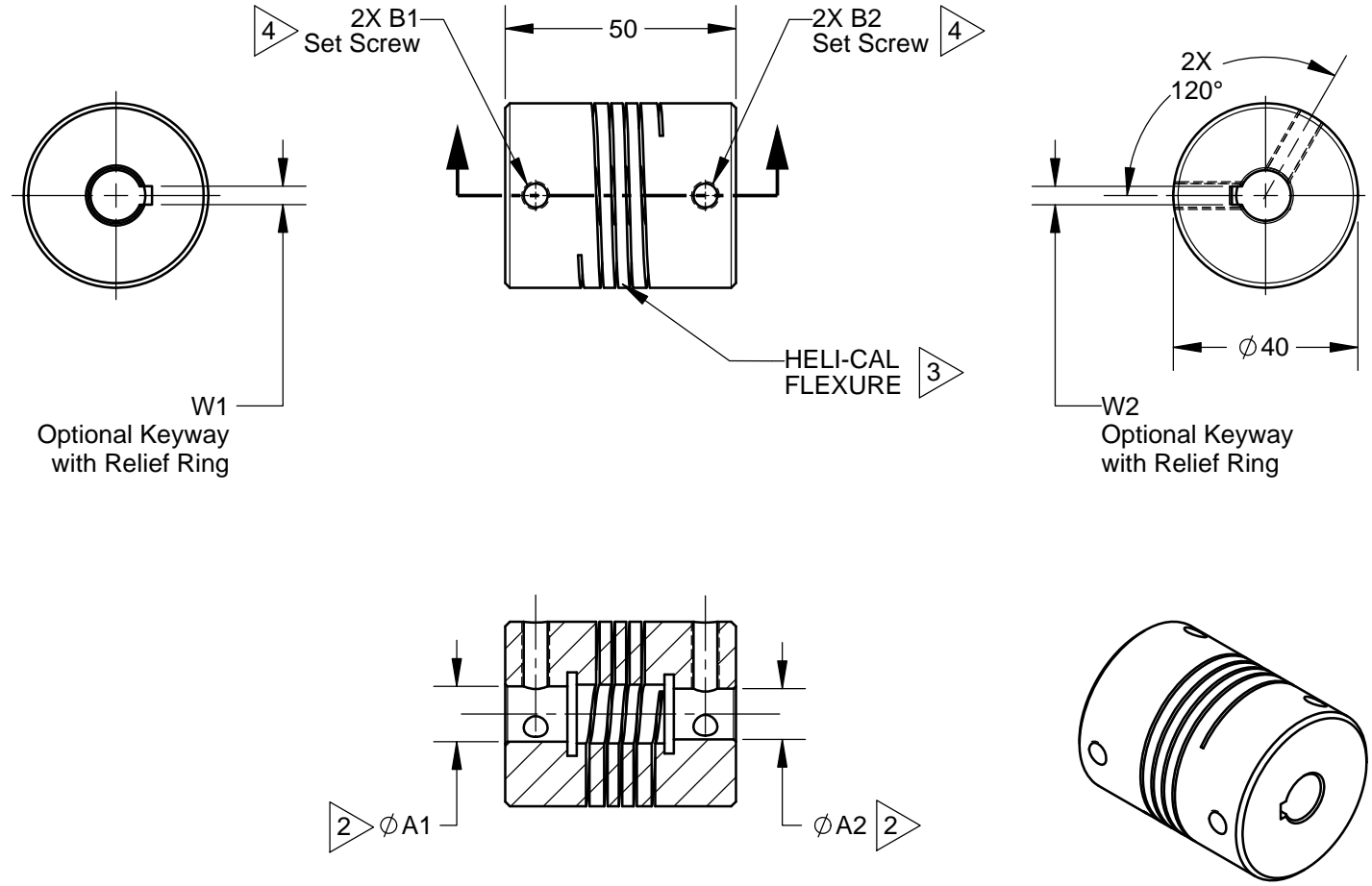


NOTES:

- 1 Refer to Secondary Sheet for Tabulated Data.
- 2 $\phi A1$ and $\phi A2$ shafts may near butt except:
When any Bore $> \phi 16.0$ the component shaft MAX penetration is 15.36.
- 3 Hubs and HELI-CAL FLEXURE are made from a single piece of material.
- 4 Set Screw attachment, hex. socket, ISO std., cup point set screw furnished: both hubs.
- 5 Backlash: None.
No lubrication required.
- 6 Permitted axial motion from free length: ± 0.25
- 7 RPM: Up to 10,000, depending on application.
- 8 Working torque ratings are based upon continuous duty with noted misalignments applied separately and may be increased with improved alignment:
Refer to Tabulated Data
- 9 Permissible shaft misalignment:
Angular, up to 5°
Offset, up to 0.25 (FIM, 0.50)



NOTICE: THE INFORMATION AND DATA CONTAINED HEREIN IS CONSIDERED PROPRIETARY TO HELICAL PRODUCTS COMPANY, INC., AND SHALL REMAIN THE EXCLUSIVE PROPERTY OF HELICAL. THE HOLDER WILL ASSUME CUSTODY AND CONTROL THAT THIS DOCUMENT WILL NOT BE COPIED, REPRODUCED OR DISCLOSED WITHOUT THE EXPRESS WRITTEN CONSENT OF HELICAL. POSSESSION OF THIS DOCUMENT DOES NOT CONSTITUTE A GRANT TO MANUFACTURE ANY ITEM.
Copyright
HELICAL PRODUCTS CO. INC.

08-08-13	---	Redrawn in Solidworks	CL	JAJ/EK
DATE	LTR	REVISION	APVR	

Unless otherwise specified all tolerances and dimensions are in millimeters.

Inch	Metric
X/XX \pm 1/64	X \pm 0.5mm
.XX \pm .01	X.X \pm 0.25mm
.XXX \pm .005	X.XX \pm 0.15mm
Angles $\pm 2^\circ$	

Break sharp corners .25 MAX
All surface finish 63 roughness
Do Not Scale Drawing

		901 West McCoy Lane P.O. BOX 1069 SANTA MARIA, CA. 93456 U.S.A. PHONE (805) 928-3851 FSC13201	
		HELICAL PRODUCTS COMPANY	
DRAWN BY	DATE	TITLE	
BJM	09-02-99	HELICAL FLEXIBLE SHAFT COUPLING	
CHECKED BY	DATE	MATL	
MC	09-20-99	17-4PH CRES	HT
APPRVD BY	DATE	FINISH	
DH	09-28-99	Natural	
WEIGHT (calculated)		DRAWING NUMBER	
375g		W740	
SHEET 1 of 2		REV	

