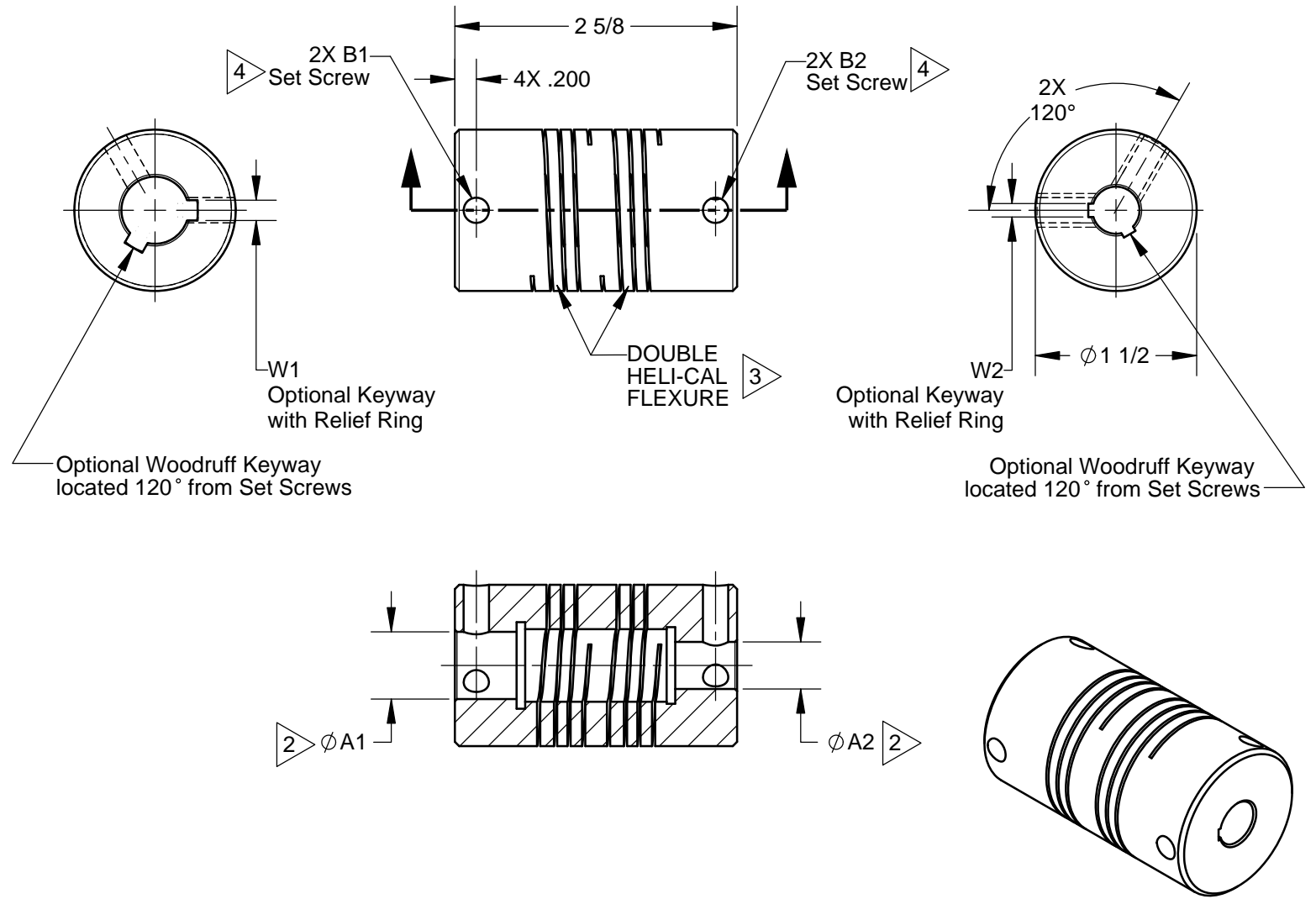


NOTES:

- 1 Refer to Secondary Sheet for Tabulated Data.
- 2 Relief permits for $\phi A1$ and $\phi A2$ shafts to near butt except:
 When any Bore $> \phi .512$ the component shaft MAX penetration is .655.
 or
 when both Bores $> \phi .512$ the component shaft MAX penetration is .655 & the MIN shaft end to shaft end is 1.315.
- 3 Hubs and HELI-CAL FLEXURE are made from a single piece of material.
- 4 Set Screw attachment, hex socket, ISO std., cup point set screw furnished: both hubs.
- 5 Backlash: None.
No lubrication required.
- 6 Permitted axial motion from free length: $\pm .010$
- 7 Working torque ratings are based upon continuous duty with noted misalignments applied separately and may be increased with improved alignment.
Refer to Tabulated Data
- 8 Permissible shaft misalignment:
Angular, up to 5°
Offset, up to .030 (FIM, .060)



NOTICE: THE INFORMATION AND DATA CONTAINED HEREIN IS CONSIDERED PROPRIETARY TO HELICAL PRODUCTS COMPANY, INC., AND SHALL REMAIN THE EXCLUSIVE PROPERTY OF HELICAL. THE HOLDER WILL ASSUME CUSTODY AND CONTROL THAT THIS DOCUMENT WILL NOT BE COPIED, REPRODUCED OR DISCLOSED WITHOUT THE EXPRESS WRITTEN CONSENT OF HELICAL. POSSESSION OF THIS DOCUMENT DOES NOT CONSTITUTE A GRANT TO MANUFACTURE ANY ITEM.
Copyright
HELICAL PRODUCTS CO. INC.


09-24-13	---	Redrawn in Solid Works	DCE	EK
01-25-10	---	Finish was Chromic Acid Anodize; Updated GD&T	HG	JAJ
11-18-98	---	Clerical Format Update/ No Revision	BJM	
DATE	LTR	REVISION	APVR	

Unless otherwise specified all tolerances and dimensions are in inches.

Inch	Metric
X/XX \pm 1/64	X \pm 0.5mm
.XX \pm .01	X.X \pm 0.25mm
.XXX \pm .005	X.XX \pm 0.15mm

Angles $\pm 2^\circ$

Break sharp corners .010 MAX
All surface finish 63 roughness
Do Not Scale Drawing



HELICAL
PRODUCTS COMPANY

901 West McCoy Lane
SANTA MARIA, CA. 93456 U.S.A.
PHONE (805) 928-3851 FSC13201

DRAWN BY ER	DATE 06-06-80	TITLE HELICAL FLEXIBLE SHAFT COUPLING
CHECKED BY MC	DATE 06-06-80	MATL 7075-T6 Aluminum Alloy
APPRVD BY APA	DATE 06-06-80	FINISH Anodize IAW HPS1000
WEIGHT (calculated) 182g		DRAWING NUMBER MCAM150
SHEET 1 of 4		REV

TABULATED DATA

Copyright HELICAL PRODUCTS CO

MATERIAL: 7075-T6 Aluminum Alloy

FINISH: Anodize IAW HPS1000

Drawing Number

MCAM150

REV

DO NOT SCALE DRAWING

SHT 2 of 4

ITEM DESCRIPTION (Part Number)	BORE SIZES		TORQUES (lbin)			SET SCREW THREAD		KEYWAY DIMENSIONS Width	
	TOLERANCE +0.02in or +0.05mm -0.00/-0.000 0		Momentary Dynamic	Non- Reversing	Shock or Reversing	B1	B2	TOLERANCE +0.02in or +0.05mm -0.00in or 0	
	Ø A1	Ø A2						W1	W2
MCAM150-8mm-8mm	8.00mm	8.00mm	116	58	29	M6 X 1.0	M6 X 1.0	---	---
MCAM150-9.5mm-9.5mm	9.50mm	9.50mm	110	55	27	M6 X 1.0	M6 X 1.0	---	---
MCAM150-12-6mm	.375in	6.00mm	110	55	27	M6 X 1.0	M5 X 0.8	---	---
MCAM150-12-8	.375in	.250in	110	55	27	M6 X 1.0	M5 X 0.8	---	---
MCAM150-12-12	.375in	.375in	110	55	27	M6 X 1.0	M6 X 1.0	---	---
MCAM150-10mm-12	10.00mm	.375in	106	53	26	M6 X 1.0	M6 X 1.0	---	---
MCAM150-10mm-10mm	10.00mm	10.00mm	106	53	26	M6 X 1.0	M6 X 1.0	---	---
MCAM150-11mm-11mm	11.00mm	11.00mm	100	50	25	M6 X 1.0	M6 X 1.0	---	---
MCAM150-12mm-8mm	12.00mm	8.00mm	92	46	23	M6 X 1.0	M6 X 1.0	---	---
MCAM150-12mm-12	12.00mm	.375in	92	46	23	M6 X 1.0	M6 X 1.0	---	---
MCAM150-12mm-10mm	12.00mm	10.00mm	92	46	23	M6 X 1.0	M6 X 1.0	---	---
MCAM150-12mm-11mm	12.00mm	11.00mm	92	46	23	M6 X 1.0	M6 X 1.0	---	---
MCAM150-12mm-12mm	12.00mm	12.00mm	92	46	23	M6 X 1.0	M6 X 1.0	---	---
MCAM150-12mmQ4-12mmQ4	12.00mm	12.00mm	92	46	23	M6 X 1.0	M6 X 1.0	4.00mm	4.00mm
MCAM150-16-12	.500in	.375in	88	44	22	M6 X 1.0	M6 X 1.0	---	---
MCAM150-16-10mm	.500in	10.00mm	88	44	22	M6 X 1.0	M6 X 1.0	---	---
MCAM150-16-16	.500in	.500in	88	44	22	M6 X 1.0	M6 X 1.0	---	---
MCAM150-14mmQ5-16K3	14.00mm	.500in	88	44	22	M6 X 1.0	M6 X 1.0	5.00mm	.125
MCAM150-14mm-14mm	14.00mm	14.00mm	88	44	22	M6 X 1.0	M6 X 1.0	---	---
MCAM150-14mm-12mm	14.00mm	12.00mm	88	44	22	M6 X 1.0	M6 X 1.0	---	---
MCAM150-15mm-10mm	15.00mm	10.00mm	88	44	22	M6 X 1.0	M6 X 1.0	---	---
MCAM150-15mmQ5-11mmQ4	15.00mm	11.00mm	88	44	22	M6 X 1.0	M6 X 1.0	5.00mm	4.00mm
MCAM150-15mm-15mm	15.00mm	15.00mm	88	44	22	M6 X 1.0	M6 X 1.0	---	---
MCAM150-15mmQ5-15mmQ5	15.00mm	15.00mm	88	44	22	M6 X 1.0	M6 X 1.0	5.00mm	5.00mm
MCAM150-20-12	.625in	.375in	88	44	22	M6 X 1.0	M6 X 1.0	---	---

TABULATED DATA

Copyright HELICAL PRODUCTS CO

MATERIAL: 7075-T6 Aluminum Alloy

FINISH: Anodize IAW HPS1000

Drawing Number

MCAM150

REV

DO NOT SCALE DRAWING

SHT 3 of 4

ITEM DESCRIPTION (Part Number)	BORE SIZES		TORQUES (lbin)			SET SCREW THREAD		KEYWAY DIMENSIONS	
	TOLERANCE		Momentary Dynamic	Non- Reversing	Shock or Reversing	B1	B2	Width	
	+0.02in -0.00/-0.000	or +0.05mm 0						W1	W2
	Ø A1	Ø A2							
MCAM150-16mm-10mm	16.00mm	10.00mm	88	44	22	M6 X 1.0	M6 X 1.0	---	---
MCAM150-16mm-14Q5	16.00mm	.438in	88	44	22	M6 X 1.0	M6 X 1.0	---	5.00mm
MCAM150-16mm-12mm	16.00mm	12.00mm	88	44	22	M6 X 1.0	M6 X 1.0	---	---
MCAM150-16mm-14mm	16.00mm	14.00mm	88	44	22	M6 X 1.0	M6 X 1.0	---	---
MCAM150-16mmQ5-14mmQ5	16.00mm	14.00mm	88	44	22	M6 X 1.0	M6 X 1.0	5.00mm	5.00mm
MCAM150-16mm-20	16.00mm	.625in	88	44	22	M6 X 1.0	M6 X 1.0	---	---
MCAM150-16mm-16mm	16.00mm	16.00mm	88	44	22	M6 X 1.0	M6 X 1.0	---	---
MCAM150-16mmW05-16mmW05	16.00mm	16.00mm	88	44	22	M6 X 1.0	M6 X 1.0	.157	.157
MCAM150-17mm-11mm	17.00mm	11.00mm	88	44	22	M6 X 1.0	M6 X 1.0	---	---
MCAM150-17mmQ5-17mmQ5	17.00mm	17.00mm	88	44	22	M6 X 1.0	M6 X 1.0	5.00mm	5.00mm
MCAM150-18mm-12mm	18.00mm	12.00mm	88	44	22	M6 X 1.0	M6 X 1.0	---	---
MCAM150-18.09mm-10.35mm	18.09mm	10.35mm	88	44	22	M6 X 1.0	M6 X 1.0	---	---
MCAM150-19mm-12mm	19.00mm	12.00mm	88	44	22	M6 X 1.0	M6 X 1.0	---	---
MCAM150-19mm-19mm	19.00mm	19.00mm	88	44	22	M6 X 1.0	M6 X 1.0	---	---
MCAM150-24-15mm	.750in	15.00mm	88	44	22	M6 X 1.0	M6 X 1.0	---	---
MCAM150-20mm-12	20.00mm	.375in	88	44	22	M6 X 1.0	M6 X 1.0	---	---
MCAM150-20mm-10mm	20.00mm	10.00mm	88	44	22	M6 X 1.0	M6 X 1.0	---	---
MCAM150-20mm-12mm	20.00mm	12.00mm	88	44	22	M6 X 1.0	M6 X 1.0	---	---
MCAM150-20mm-16	20.00mm	.500in	88	44	22	M6 X 1.0	M6 X 1.0	---	---
MCAM150-20mmQ5-13mm	20.00mm	13.00mm	88	44	22	M6 X 1.0	M6 X 1.0	5.00mm	---
MCAM150-20mm-20	20.00mm	.625in	88	44	22	M6 X 1.0	M6 X 1.0	---	---
MCAM150-20mm-17mm	20.00mm	17.00mm	88	44	22	M6 X 1.0	M6 X 1.0	---	---
MCAM150-20mm-19mm	20.00mm	19.00mm	88	44	22	M6 X 1.0	M6 X 1.0	---	---
MCAM150-20mm-24	20.00mm	.750in	88	44	22	M6 X 1.0	M6 X 1.0	---	---
MCAM150-20mm-20mm	20.00mm	20.00mm	88	44	22	M6 X 1.0	M6 X 1.0	---	---
MCAM150-22mmQ6-20mmQ6	22.00mm	20.00mm	88	44	22	M6 X 1.0	M6 X 1.0	6.00mm	6.00mm

