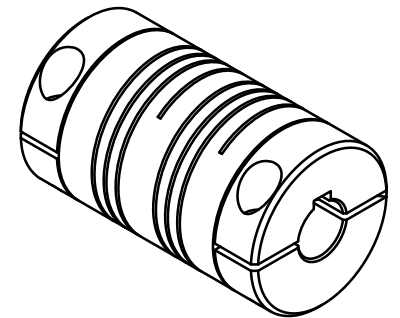
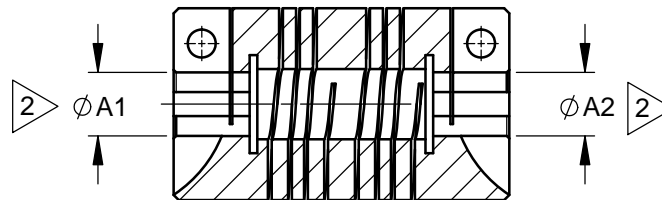
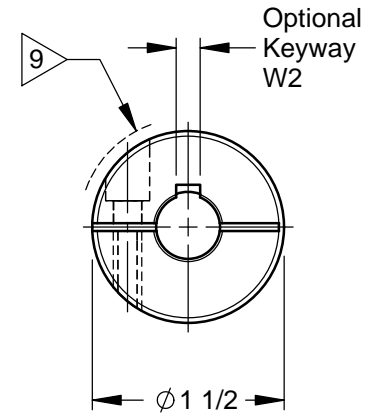
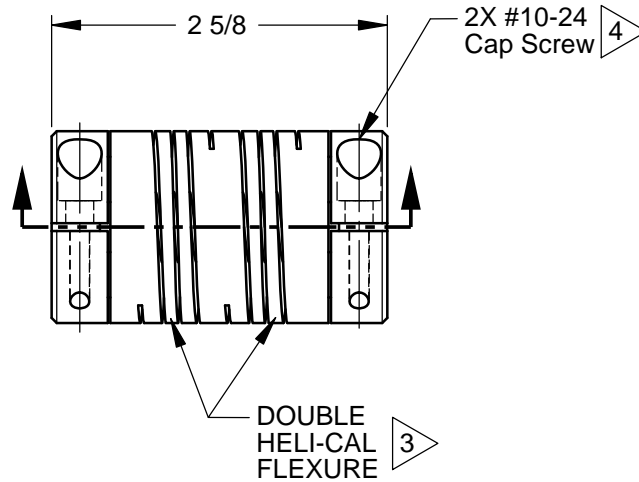
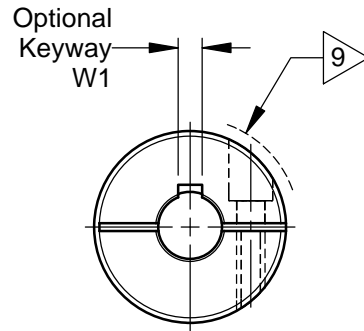


NOTES:

- 1 Refer to Secondary Sheet for Tabulated Data.
- 2 $\phi A1$ and $\phi A2$ shafts may near butt except:
 When any Bore $> \phi .512$ the component shaft MAX penetration is .655
 or
 when both Bores $> \phi .512$ the component shaft MAX penetration is .655 & the MIN shaft end to shaft end is 1.315.
- 3 Hubs and HELI-CAL FLEXURE are made from a single piece of material.
- 4 Integral Clamp attachment, hex. socket, cap screw furnished: both hubs.
- 5 Backlash: None. No lubrication required.
- 6 Permitted axial motion from free length: $\pm .010$
- 7 Working torque ratings are based upon continuous duty with noted misalignments applied separately and may be increased with improved alignment. Refer to Tabulated Data
- 8 Permissible shaft misalignment:
 Angular, up to 5°
 Offset, up to .030 (FIM, .060)
- 9 Part will have a $\phi 1.706$ clearance on both ends when any Bore $> \phi .692$ thru $\phi .908$.



NOTICE: THE INFORMATION AND DATA CONTAINED HEREIN IS CONSIDERED PROPRIETARY TO HELICAL PRODUCTS COMPANY, INC., AND SHALL REMAIN THE EXCLUSIVE PROPERTY OF HELICAL. THE HOLDER WILL ASSUME CUSTODY AND CONTROL THAT THIS DOCUMENT WILL NOT BE COPIED, REPRODUCED OR DISCLOSED WITHOUT THE EXPRESS WRITTEN CONSENT OF HELICAL. POSSESSION OF THIS DOCUMENT DOES NOT CONSTITUTE A GRANT TO MANUFACTURE ANY ITEM. Copyright HELICAL PRODUCTS CO. INC.

		---	Redrawn in Solidworks	JAJ
01-25-10	---		Revised IAW ECR#09121602	HG JAJ
10-13-98	---		Clerical format update / No revision	BJM
DATE	LTR		REVISION	APVR

Unless otherwise specified all tolerances and dimensions are in inches.

Inch	Metric
X/XX \pm 1/64	X \pm 0.5mm
.XX \pm .01	X.X \pm 0.25mm
.XXX \pm .005	X.XX \pm 0.15mm
Angles $\pm 2^\circ$	

Break sharp corners .010 MAX
 All surface finish 63 roughness
 Do Not Scale Drawing

		901 West McCoy Lane P.O. BOX 1069 SANTA MARIA, CA. 93456 U.S.A. PHONE (805) 928-3851 FSC13201	
		HELICAL PRODUCTS COMPANY, INC.	
DRAWN BY	DATE	TITLE	
ER	02-01-82	HELICAL FLEXIBLE SHAFT COUPLING	
CHECKED BY	DATE	MATL	
MC	02-01-82	7075-T6 Aluminum Alloy	
APPRVD BY	DATE	FINISH	
APA	02-01-82	Anodize IAW HPS1000	
WEIGHT (calculated)		DRAWING NUMBER	
182g		MCAC150	
SHEET 1 of 5		REV	

TABULATED DATA

Copyright HELICAL PRODUCTS CO INC

MATERIAL: 7075-T6 Aluminum Alloy

FINISH: Anodize IAW HPS1000

Drawing Number

MCAC150

REV

DO NOT SCALE DRAWING

SHT 2 of 5

ITEM DESCRIPTION (Part Number)	BORE SIZES		TORQUES (lbin)			KEYWAY Width	
	TOLERANCE +0.002in or +0.05mm -0.000in or 0		Momentary Dynamic	Non- Reversing	Shock or Reversing	TOLERANCE +0.002in or +0.05mm -0.000in or 0	
	Ø A1	Ø A2				W1	W2
MCAC150-BLANK (STD)	.297in	.172in	---	---	---	---	---
MCAC150-BLANK (NON-STD)	.297in	.172in	---	---	---	---	---
MCAC150-10-8	.313in	.250in	116	58	29	---	---
MCAC150-10-10	.313in	.313in	116	58	29	---	---
MCAC150-8mm-8mm	8.00mm	8.00mm	116	58	29	---	---
MCAC150-9mm-9mm	9.00mm	9.00mm	112	56	28	---	---
MCAC150-12-8	.375in	.250in	110	55	27	---	---
MCAC150-12-10	.375in	.313in	110	55	27	---	---
MCAC150-12-8mm	.375in	8.00mm	110	55	27	---	---
MCAC150-12-9mm	.375in	9.00mm	110	55	27	---	---
MCAC150-12-9.35mm	.375in	9.35mm	110	55	27	---	---
MCAC150-12-12	.375in	.375in	110	55	27	---	---
MCAC150-12K1-12K1	.375in	.375in	110	55	27	.094	.094
MCAC150-12K3-12K1	.375in	.375in	110	55	27	.125	.094
MCAC150-10mm-12	10.00mm	.375in	106	53	26	---	---
MCAC150-10.7mm-10.7mm	10.70mm	10.70mm	100	50	25	---	---
MCAC150-11mm-11mm	11.00mm	11.00mm	100	50	25	---	---
MCAC150-14-10	.438in	.313in	100	50	25	---	---
MCAC150-14-14	.438in	.438in	100	50	25	---	---
MCAC150-15W04-15W04	.469in	.469in	94	47	23	.126	.126
MCAC150-12mm-12	12.00mm	.375in	92	46	23	---	---
MCAC150-12mm-10mm	12.00mm	10.00mm	92	46	23	---	---
MCAC150-12mm-12mm	12.00mm	12.00mm	92	46	23	---	---
MCAC150-12mmQ4-12mmQ4	12.00mm	12.00mm	92	46	23	4.00mm	4.00mm

TABULATED DATA

Copyright HELICAL PRODUCTS CO INC

MATERIAL: 7075-T6 Aluminum Alloy

FINISH: Anodize IAW HPS1000

Drawing Number

MCAC150

REV

DO NOT SCALE DRAWING

SHT 3 of 5

ITEM DESCRIPTION (Part Number)	BORE SIZES		TORQUES (lbin)			KEYWAY Width	
	TOLERANCE +0.002in or +0.05mm -0.000in or 0		Momentary Dynamic	Non- Reversing	Shock or Reversing	TOLERANCE +0.002in or +0.05mm -0.000in or 0	
	Ø A1	Ø A2				W1	W2
MCAC150-16-6	.500in	.188in	88	44	22	---	---
MCAC150-16-5mm	.500in	5.00mm	88	44	22	---	---
MCAC150-16-6mm	.500in	6.00mm	88	44	22	---	---
MCAC150-16-8	.500in	.250in	88	44	22	---	---
MCAC150-16-10	.500in	.313in	88	44	22	---	---
MCAC150-16K3-10K1	.500in	.313in	88	44	22	.125	.094
MCAC150-16-8mm	.500in	8.00mm	88	44	22	---	---
MCAC150-16-12	.500in	.375in	88	44	22	---	---
MCAC150-16-12K1	.500in	.375in	88	44	22	---	.094
MCAC150-16K3-12	.500in	.375in	88	44	22	.125	---
MCAC150-16K3-12K1	.500in	.375in	88	44	22	.125	.094
MCAC150-16K3-12K3	.500in	.375in	88	44	22	.125	.125
MCAC150-16-10mm	.500in	10.00mm	88	44	22	---	---
MCAC150-16K3-11mmQ4	.500in	11.00mm	88	44	22	.125	4.00mm
MCAC150-16K3-11mmQ5	.500in	11.00mm	88	44	22	.125	5.00mm
MCAC150-16-14	.500in	.438in	88	44	22	---	---
MCAC150-16-12mm	.500in	12.00mm	88	44	22	---	---
MCAC150-16K3-12mmQ4	.500in	12.00mm	88	44	22	.125	4.00mm
MCAC150-16K3-12mmQ5	.500in	12.00mm	88	44	22	.125	5.00mm
MCAC150-16-16	.500in	.500in	88	44	22	---	---
MCAC150-16K3-16K3	.500in	.500in	88	44	22	.125	.125
MCAC150-13mm-12	13.00mm	.375in	88	44	22	---	---
MCAC150-14mm-12	14.00mm	.375in	88	44	22	---	---
MCAC150-14mmQ5-10mmQ3	14.00mm	10.00mm	88	44	22	5.00mm	3.00mm
MCAC150-14mmQ5-12mmQ4	14.00mm	12.00mm	88	44	22	5.00mm	4.00mm
MCAC150-14mm-16	14.00mm	.500in	88	44	22	---	---
MCAC150-14mmQ5-16K3	14.00mm	.500in	88	44	22	5.00mm	.125
MCAC150-18-10	.563in	.313in	88	44	22	---	---
MCAC150-18-16	.563in	.500in	88	44	22	---	---
MCAC150-15mm-12	15.00mm	.375in	88	44	22	---	---
MCAC150-15mmQ5-16	15.00mm	.500in	88	44	22	5.00mm	---

TABULATED DATA

Copyright HELICAL PRODUCTS CO INC

MATERIAL: 7075-T6 Aluminum Alloy

FINISH: Anodize IAW HPS1000

Drawing Number

MCAC150

REV

DO NOT SCALE DRAWING

SHT 4 of 5

ITEM DESCRIPTION (Part Number)	BORE SIZES		TORQUES (lbin)			KEYWAY Width	
	TOLERANCE		Momentary Dynamic	Non- Reversing	Shock or Reversing	TOLERANCE	
	ϕ A1	ϕ A2				$\frac{+.002in}{-.000in}$ or $\frac{+.05mm}{0}$	$\frac{+.002in}{-.000in}$ or $\frac{+.05mm}{0}$
MCAC150-20-8	.625in	.250in	88	44	22	---	---
MCAC150-20K4-8	.625in	.250in	88	44	22	.188	---
MCAC150-20-10	.625in	.313in	88	44	22	---	---
MCAC150-20-8mm	.625in	8.00mm	88	44	22	---	---
MCAC150-20-12	.625in	.375in	88	44	22	---	---
MCAC150-20K4-12	.625in	.375in	88	44	22	.188	---
MCAC150-20K4-12K1	.625in	.375in	88	44	22	.188	.094
MCAC150-20-10mm	.625in	10.00mm	88	44	22	---	---
MCAC150-20K4-10mm	.625in	10.00mm	88	44	22	.188	---
MCAC150-20-14	.625in	.438in	88	44	22	---	---
MCAC150-20K4-14	.625in	.438in	88	44	22	.188	---
MCAC150-20K4-14K3	.625in	.438in	88	44	22	.188	.125
MCAC150-20K4-12mm	.625in	12.00mm	88	44	22	.188	---
MCAC150-20-16	.625in	.500in	88	44	22	---	---
MCAC150-20-16K3	.625in	.500in	88	44	22	---	.125
MCAC150-20K4-16	.625in	.500in	88	44	22	.188	---
MCAC150-20K4-16K3	.625in	.500in	88	44	22	.188	.125
MCAC150-20-14mm	.625in	14.00mm	88	44	22	---	---
MCAC150-20K4-14mm	.625in	14.00mm	88	44	22	.188	---
MCAC150-20K4-14mmQ5	.625in	14.00mm	88	44	22	.188	5.00mm
MCAC150-20K4-18K3	.625in	.563in	88	44	22	.188	.125
MCAC150-20-20	.625in	.625in	88	44	22	---	---
MCAC150-20K4-20K4	.625in	.625in	88	44	22	.188	.188
MCAC150-16mmQ5-16K3	16.00mm	.500in	88	44	22	5.00mm	.125
MCAC150-16mmK4-20K4	16.00mm	.625in	88	44	22	.188	.188
MCAC150-16.87mm-20K4	16.87mm	.625in	88	44	22	---	.188
MCAC150-17mm-20	17.00mm	.625in	88	44	22	---	---
MCAC150-17.86mm-12	17.86mm	.375in	88	44	22	---	---
MCAC150-18mm-12	18.00mm	.375in	88	44	22	---	---
MCAC150-18mm-16	18.00mm	.500in	88	44	22	---	---

TABULATED DATA

Copyright HELICAL PRODUCTS CO INC

MATERIAL: 7075-T6 Aluminum Alloy

FINISH: Anodize IAW HPS1000

Drawing Number

MCAC150

REV

DO NOT SCALE DRAWING

SHT 5 of 5

ITEM DESCRIPTION (Part Number)	BORE SIZES		TORQUES (lbin)			KEYWAY Width	
	TOLERANCE		Momentary Dynamic	Non- Reversing	Shock or Reversing	TOLERANCE	
	ϕ A1	ϕ A2				W1	W2
MCAC150-19mm-12	19.00mm	.375in	88	44	22	---	---
MCAC150-19mmQ6-16K3	19.00mm	.500in	88	44	22	6.00mm	.125
MCAC150-19mm-20	19.00mm	.625in	88	44	22	---	---
MCAC150-19mm-16mm	19.00mm	16.00mm	88	44	22	---	---
MCAC150-24-8	.750in	.250in	88	44	22	---	---
MCAC150-24K4-8	.750in	.250in	88	44	22	.188	---
MCAC150-24-7mm	.750in	7.00mm	88	44	22	---	---
MCAC150-24-10	.750in	.313in	88	44	22	---	---
MCAC150-24-8mm	.750in	8.00mm	88	44	22	---	---
MCAC150-24-12	.750in	.375in	88	44	22	---	---
MCAC150-24K4-12K1	.750in	.375in	88	44	22	.188	.094
MCAC150-24-10mm	.750in	10.00mm	88	44	22	---	---
MCAC150-24K4-10mm	.750in	10.00mm	88	44	22	.188	---
MCAC150-24K4-12mm	.750in	12.00mm	88	44	22	.188	---
MCAC150-24K4-12mmQ4	.750in	12.00mm	88	44	22	.188	4.00mm
MCAC150-24-16	.750in	.500in	88	44	22	---	---
MCAC150-24K4-16K3	.750in	.500in	88	44	22	.188	.125
MCAC150-24-15mmQ5	.750in	15.00mm	88	44	22	---	5.00mm
MCAC150-24-20	.750in	.625in	88	44	22	---	---
MCAC150-24K4-20K4	.750in	.625in	88	44	22	.188	.188
MCAC150-24W06-20	.750in	.625in	88	44	22	.189	---
MCAC150-24-16mm	.750in	16.00mm	88	44	22	---	---
MCAC150-24-24	.750in	.750in	88	44	22	---	---
MCAC150-24K4-24K4	.750in	.750in	88	44	22	.188	.188
MCAC150-20mm-16	20.00mm	.500in	88	44	22	---	---
MCAC150-20mmQ6-16K3	20.00mm	.500in	88	44	22	6.00mm	.125
MCAC150-20mmQ6-20K4	20.00mm	.625in	88	44	22	6.00mm	.188
MCAC150-22mmQ6-24K4	22.00mm	.750in	88	44	22	6.00mm	.188
MCAC150-28-10	.875in	.313in	88	44	22	---	---
MCAC150-28-12	.875in	.375in	88	44	22	---	---
MCAC150-28-10mm	.875in	10.00mm	88	44	22	---	---
MCAC150-28-16	.875in	.500in	88	44	22	---	---
MCAC150-28-20	.875in	.625in	88	44	22	---	---
MCAC150-28-24	.875in	.750in	88	44	22	---	---
MCAC150-28-28	.875in	.875in	88	44	22	---	---