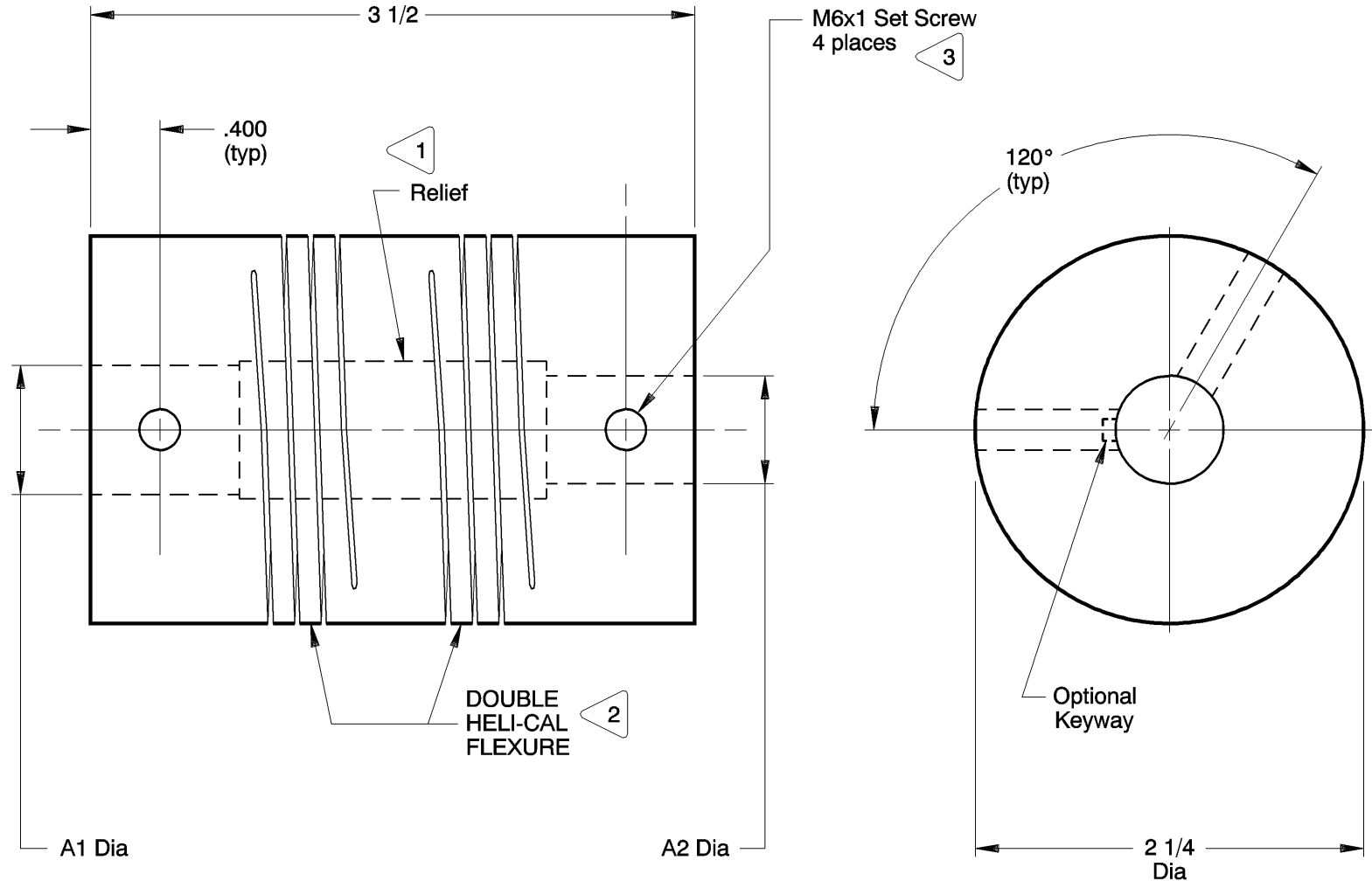


NOTES: See Tabulated Sheet

- 1 Relief permits component shafts to near butt.
- 2 Hubs and HELI-CAL FLEXURE are made from a single piece of material.
- 3 Set Screw attachment, hex. socket, ISO std., cup point set screw furnished: both hubs. Set Screw size based on bore size:
.250in thru .312in : M5x0.8
.313in thru 1.750in : M6x1
- 4 Backlash: None. No lubrication required.
- 5 Permitted axial motion from free length: ± .010in.
- 6 Working torque ratings are based upon continuous duty with noted misalignments applied separately and may be increased with improved alignment: See Tabulated Sheet
- 7 Permissible shaft misalignment:
Angular, up to 5 degrees.
Offset, up to .030in.
(TIR, .060in.)



MC7M225-24-20 SHOWN

NOTICE: THE INFORMATION AND DATA CONTAINED HEREIN IS CONSIDERED PROPRIETARY TO HELICAL PRODUCTS COMPANY, INC., AND SHALL REMAIN THE EXCLUSIVE PROPERTY OF HELICAL. THE HOLDER WILL ASSUME CUSTODY AND CONTROL THAT THIS DOCUMENT WILL NOT BE COPIED, REPRODUCED OR DISCLOSED WITHOUT THE EXPRESS WRITTEN CONSENT OF HELICAL. POSSESSION OF THIS DOCUMENT DOES NOT CONSTITUTE A GRANT TO MANUFACTURE ANY ITEMS.

DO NOT SCALE DRAWING.

12-29-99		Clerical format update/ No revision	BJM	MC
DATE	LTR	REVISION	CHK	

Unless otherwise noted dimensions in inches.
Inch
Fractions: ± 1/64
Decimals: .XX ± .010
.XXX ± .005
.XXX ± .0010
Metric
Decimals: X ± 0.5mm
X.X ± 0.25mm
X.XX ± 0.15mm
Angles: ± 2 degrees
Break sharp corners .010 max.

APPROVALS	DATE
DRAWN ER	2-1-82
CHECKED MC	2-1-82
PRODN APA	2-1-82
ISSUED	
WEIGHT	1534g (calc)
SCALE 1/1	SIZE A

<p>HELICAL PRODUCTS CO., INC. P.O. BOX 1069 SANTA MARIA, CA. 93456 U.S.A PHONE (805) 928-3851 FSC13201</p>	
TITLE	HELICAL FLEXIBLE SHAFT COUPLING
MATERIAL	17-4PH CRES HT
FINISH	Natural
DWG NO	MC7M225

ADDITION DATE	PART NUMBER	BORE TOLERANCES		TORQUES (lbin)			TORSIONAL FLEXIBILITY deg/lbin	MASS MOMENT OF INERTIA	COMMENTS	A1	A2	
		+0.002in -0.000in	or	+0.05mm -0.00mm	Non-reversing	Shock or Reversing						Momentary
	MC7M225-10mm-10mm	10.00mm	10.00mm	362	181	724						
	MC7M225-12mm-12mm	12.00mm	12.00mm	362	181	724						
	MC7M225-16Q4-12mmQ4	.500in	12.00mm	360	180	720		Keyway Width:	4.00/4.05mm	4.00/4.05mm		
	MC7M225-14mm-10mm	14.00mm	10.00mm	352	176	704						
	MC7M225-14mm-14mm	14.00mm	14.00mm	352	176	704						
09 Mar 88	MC7M225-15mm-15mm	15.00mm	15.00mm	348	174	696						
07 Dec 04	MC7M225-20K4-20K4	.625in	.625in	342	171	684		Keyway Width:	.188/.190in	.188/.190in		
09 Mar 88	MC7M225-20-20	.625in	.625in	342	171	684						

*** NOTE: Bores greater than .000in Dia: bore depth is .870in**

NOTICE: THE INFORMATION AND DATA CONTAINED HEREIN IS CONSIDERED PROPRIETARY TO HELICAL PRODUCTS COMPANY, INC., AND SHALL REMAIN THE EXCLUSIVE PROPERTY OF HELICAL. THE HOLDER WILL ASSUME CUSTODY AND CONTROL THAT THIS DOCUMENT WILL NOT BE COPIED, REPRODUCED OR DISCLOSED WITHOUT THE EXPRESS WRITTEN CONSENT OF HELICAL. POSSESSION OF THIS DOCUMENT DOES NOT CONSTITUTE A GRANT TO MANUFACTURE ANY ITEMS.

ADDITIONAL BORE SIZES AVAILABLE UPON REQUEST

APPROVALS	DATE	HELICAL PRODUCTS CO. INC P.O. BOX 1069 SANTA MARIA, CA. 93456 U.S.A PHONE (805) 928-3851 FSCI3201
DRAWN		
CHECKED		TITLE
PRODN		HELICAL FLEXIBLE SHAFT COUPLING
ISSUED	2/28/2012 3: 17: 40 PM	TABULATED BORE SIZES
		DWG NO MC7M225

Printed 2/28/2012 3: 19: 37 PM by Larryvg

ADDITION DATE	PART NUMBER	BORE TOLERANCES		TORQUES (lbin)			TORSIONAL FLEXIBILITY deg/lbin	MASS MOMENT OF INERTIA	COMMENTS	A1 A2	
		+.002in -.000in	or +.05mm -.00mm	Non-reversing	Shock or Reversing	Momentary				A1	A2
09 Mar 88	MC7M225-16mmQ5-13mmQ3	16.00mm	13.00mm	342	171	684		Keyway Width:	5.00/5.05mm	3.00/3.05mm	
09 Mar 88	MC7M225-16mmQ5-16mmQ5	16.00mm	16.00mm	342	171	684		Keyway Width:	5.00/5.05mm	5.00/5.05mm	
09 Mar 88	MC7M225-16mm-16mm	16.00mm	16.00mm	342	171	684					
05 Jun 03	MC7M225-18mmQ6-16mmQ5	18.00mm	16.00mm	308	154	616		Keyway Width:	6.00/6.05mm	5.00/5.05mm	
	MC7M225-18mm-16mm	18.00mm	16.00mm	308	154	616					
	MC7M225-19mm-12mm	19.00mm	12.00mm	296	148	592					
	MC7M225-19mm-14mm	19.00mm	14.00mm	296	148	592					
24 Dec 08	MC7M225-19mmQ5-14mmQ5	19.00mm	14.00mm	296	148	592		Keyway Width:	5.00/5.05mm	5.00/5.05mm	
04 Nov 88	MC7M225-19mmQ6-18mmQ6	19.00mm	18.00mm	296	148	592		Keyway Width:	6.00/6.05mm	6.00/6.05mm	
09 Mar 88	MC7M225-24-24	.750in	.750in	284	142	568					
	MC7M225-20mm-12mm	20.00mm	12.00mm	282	141	564					
	MC7M225-20mm-14mmQ5	20.00mm	14.00mm	282	141	564		Keyway Width:		5.00/5.05mm	
29 Jun 88	MC7M225-20mm-19mm	20.00mm	19.00mm	282	141	564					
	MC7M225-20mmQ6-24K4	20.00mm	.750in	282	141	564		Keyway Width:	6.00/6.05mm	.188/.190in	
	MC7M225-20mmQ6-20mmQ6	20.00mm	20.00mm	282	141	564		Keyway Width:	6.00/6.05mm	6.00/6.05mm	
	MC7M225-20mm-20mm	20.00mm	20.00mm	282	141	564					
29 Jun 88	MC7M225-22mmQ6-15mmQ5	22.00mm	15.00mm	264	132	528		Keyway Width:	6.00/6.05mm	5.00/5.05mm	
	MC7M225-22mm-16mm	22.00mm	16.00mm	264	132	528					
	MC7M225-22mm-18mm	22.00mm	18.00mm	264	132	528					
	MC7M225-22mm-19mm	22.00mm	19.00mm	264	132	528					
15 Jul 08	MC7M225-22mm-20mm	22.00mm	20.00mm	264	132	528					
09 Mar 88	MC7M225-22mmQ6-22mmQ6	22.00mm	22.00mm	264	132	528		Keyway Width:	6.00/6.05mm	6.00/6.05mm	
09 Mar 88	MC7M225-22mm-22mm	22.00mm	22.00mm	264	132	528					
09 Mar 88	MC7M225-28-28	.875in	.875in	262	131	524					
07 Dec 04	MC7M225-28K4-28K4	.875in	.875in	262	131	524		Keyway Width:	.188/.190in	.188/.190in	
	MC7M225-24mmQ8-12mmQ4	24.00mm	12.00mm	236	118	472		Keyway Width:	8.00/8.05mm	4.00/4.05mm	
	MC7M225-24mmQ6-16	24.00mm	.500in	236	118	472		Keyway Width:	6.00/6.05mm		
	MC7M225-24mmQ8-16	24.00mm	.500in	236	118	472		Keyway Width:	8.00/8.05mm		
01 Dec 00	MC7M225-24mm-15mm	24.00mm	15.00mm	236	118	472					
	MC7M225-24mmQ8-16mmQ5	24.00mm	16.00mm	236	118	472		Keyway Width:	8.00/8.05mm	5.00/5.05mm	
09 Mar 88	MC7M225-24mmQ8-19mmQ6	24.00mm	19.00mm	236	118	472		Keyway Width:	8.00/8.05mm	6.00/6.05mm	
02 Dec 03	MC7M225-24mm-19mm	24.00mm	19.00mm	236	118	472					

* NOTE: Bores greater than .000in Dia; bore depth is .870in

NOTICE: THE INFORMATION AND DATA CONTAINED HEREIN IS CONSIDERED PROPRIETARY TO HELICAL PRODUCTS COMPANY, INC., AND SHALL REMAIN THE EXCLUSIVE PROPERTY OF HELICAL. THE HOLDER WILL ASSUME CUSTODY AND CONTROL THAT THIS DOCUMENT WILL NOT BE COPIED, REPRODUCED OR DISCLOSED WITHOUT THE EXPRESS WRITTEN CONSENT OF HELICAL. POSSESSION OF THIS DOCUMENT DOES NOT CONSTITUTE A GRANT TO MANUFACTURE ANY ITEMS.

ADDITIONAL BORE SIZES AVAILABLE UPON REQUEST

APPROVALS	DATE
DRAWN	
CHECKED	
PRODN	
ISSUED	2/28/2012 3:17:40 PM

HELICAL PRODUCTS CO. INC
 P.O. BOX 1069 SANTA MARIA, CA. 93456 U.S.A
 PHONE (805) 928-3851 FSCI3201

TITLE **HELICAL FLEXIBLE SHAFT COUPLING**

TABULATED BORE SIZES

DWG NO **MC7M225**

Printed 2/28/2012 3:19:37 PM by Larry/g

ADDITION DATE	PART NUMBER	BORE TOLERANCES		TORQUES (lbin)			TORSIONAL FLEXIBILITY deg/lbin	MASS MOMENT OF INERTIA	COMMENTS	A1	A2
		+.002in -.000in	or +.05mm -.00mm	Non-reversing	Shock or Reversing	Momentary					
	MC7M225-24mmQ8-20mm	24.00mm	20.00mm	236	118	472					
09 Mar 88	MC7M225-24mmQ8-24mmQ8	24.00mm	24.00mm	236	118	472		Keyway Width:	8.00/8.05mm		
29 Jun 88	MC7M225-24mm-24mm	24.00mm	24.00mm	236	118	472		Keyway Width:	8.00/8.05mm	8.00/8.05mm	
09 Mar 88	MC7M225-25mm-15mm	25.00mm	15.00mm	222	111	444					
	MC7M225-25mm-15.5mmQ5	25.00mm	15.50mm	222	111	444		Keyway Width:		5.00/5.05mm	
	MC7M225-25mmQ8-16mmQ5	25.00mm	16.00mm	222	111	444		Keyway Width:	8.00/8.05mm	5.00/5.05mm	
	MC7M225-25mm-16mmQ5	25.00mm	16.00mm	222	111	444		Keyway Width:		5.00/5.05mm	
09 Mar 88	MC7M225-25mm-17mm	25.00mm	17.00mm	222	111	444					
	MC7M225-25mm-19mm	25.00mm	19.00mm	222	111	444					
17 Mar 92	MC7M225-25mmQ8-20mmQ6	25.00mm	20.00mm	222	111	444		Keyway Width:	8.00/8.05mm	6.00/6.05mm	
	MC7M225-25mmQ6-20mmQ6	25.00mm	20.00mm	222	111	444		Keyway Width:	6.00/6.05mm	6.00/6.05mm	
	MC7M225-25mm-20mm	25.00mm	20.00mm	222	111	444					
09 Mar 88	MC7M225-25mm-22mm	25.00mm	22.00mm	222	111	444					
14 Dec 01	MC7M225-25mmQ8-28K4	25.00mm	.875in	222	111	444		Keyway Width:	8.00/8.05mm	.188/.190in	
	MC7M225-25mmQ8-24mmQ8	25.00mm	24.00mm	222	111	444		Keyway Width:	8.00/8.05mm	8.00/8.05mm	
	MC7M225-25mmQ8-25mm	25.00mm	25.00mm	222	111	444		Keyway Width:	8.00/8.05mm		
	MC7M225-25mmQ8-25mmQ8	25.00mm	25.00mm	222	111	444		Keyway Width:	8.00/8.05mm	8.00/8.05mm	
09 Mar 88	MC7M225-25mm-25mm	25.00mm	25.00mm	222	111	444					
29 Jun 88	MC7M225-32-12	1.000in	.375in	222	111	444					
02 Aug 10	MC7M225-32-19mmQ6	1.000in	19.00mm	222	111	444		Keyway Width:		6.00/.00mm	
	MC7M225-32-24	1.000in	.750in	222	111	444					
05 Dec 89	MC7M225-32-32	1.000in	1.000in	222	111	444					
06 Jan 06	MC7M225-26mm-8mm	*26.00mm	8.00mm	222	111	444					
06 Jan 06	MC7M225-26mm-11mm	*26.00mm	11.00mm	222	111	444					
06 Jan 06	MC7M225-26mm-13mm	*26.00mm	13.00mm	222	111	444					
06 Jan 06	MC7M225-26mm-16mm	*26.00mm	16.00mm	222	111	444					
	MC7M225-28mmQ8-19mmQ6	*28.00mm	19.00mm	222	111	444		Keyway Width:	8.00/8.05mm	6.00/6.05mm	
	MC7M225-28mm-20mm	*28.00mm	20.00mm	222	111	444					
	MC7M225-28mmQ8-25mmQ8	*28.00mm	25.00mm	222	111	444		Keyway Width:	8.00/8.05mm	8.00/8.05mm	
09 Mar 88	MC7M225-28mm-28mm	*28.00mm	*28.00mm	222	111	444					
09 Mar 88	MC7M225-28mmQ8-28mmQ8	*28.00mm	*28.00mm	222	111	444		Keyway Width:	8.00/8.05mm	8.00/8.05mm	
19 Jun 01	MC7M225-30mm-20mm	*30.00mm	20.00mm	222	111	444					

* NOTE: Bores greater than 1.000in Dia; bore depth is .870in

NOTICE: THE INFORMATION AND DATA CONTAINED HEREIN IS CONSIDERED PROPRIETARY TO HELICAL PRODUCTS COMPANY, INC., AND SHALL REMAIN THE EXCLUSIVE PROPERTY OF HELICAL. THE HOLDER WILL ASSUME CUSTODY AND CONTROL THAT THIS DOCUMENT WILL NOT BE COPIED, REPRODUCED OR DISCLOSED WITHOUT THE EXPRESS WRITTEN CONSENT OF HELICAL. POSSESSION OF THIS DOCUMENT DOES NOT CONSTITUTE A GRANT TO MANUFACTURE ANY ITEMS.

ADDITIONAL BORE SIZES AVAILABLE UPON REQUEST

APPROVALS

DATE

HELICAL PRODUCTS CO. INC

P.O. BOX 1069 SANTA MARIA, CA. 93456 U.S.A
PHONE (805) 928-3851 FSCI3201

DRAWN

CHECKED

PRODN

ISSUED

2/28/2012
3: 17: 40 PM

TITLE HELICAL FLEXIBLE SHAFT COUPLING

TABULATED BORE SIZES

DWG NO

MC7M225

Printed 2/28/2012 3: 19: 37 PM by Larry Yg

ADDITION DATE	PART NUMBER	BORE TOLERANCES		TORQUES (lbin)			TORSIONAL FLEXIBILITY deg/lbin	MASS MOMENT OF INERTIA	COMMENTS	A1	A2
		+.002in or +.05mm -.000in -.00mm		Non-reversing	Shock or Reversing	Momentary					
		A1 Dia	A2 Dia								
03 May 05	MC7M225-30mm-28mm	*30.00mm	*28.00mm	222	111	444					
29 Jun 88	MC7M225-30mmQ8-30mmQ8	*30.00mm	*30.00mm	222	111	444		Keyway Width:	8.00/8.05mm	8.00/8.05mm	
	MC7M225-32mmQ10-16K3	*32.00mm	.500in	222	111	444		Keyway Width:	10.00/10.05mm	125/.127in	
	MC7M225-32mmQ10-25mmQ8	*32.00mm	25.00mm	222	111	444		Keyway Width:	10.00/10.05mm	8.00/8.05mm	
	MC7M225-32mmQ10-25mmQ6	*32.00mm	25.00mm	222	111	444		Keyway Width:	10.00/10.05mm	8.00/6.05mm	
29 Feb 00	MC7M225-32mm-32mm	*32.00mm	*32.00mm	222	111	444					
	MC7M225-34mm-12mm	*34.00mm	12.00mm	222	111	444					
	MC7M225-34mmQ10-16mmQ5	*34.00mm	16.00mm	222	111	444		Keyway Width:	10.00/10.05mm	8.00/5.05mm	
	MC7M225-35mmQ10-16mmQ5	*35.00mm	16.00mm	222	111	444		Keyway Width:	10.00/10.05mm	8.00/5.05mm	
	MC7M225-35mmQ10-35mmQ10	*35.00mm	*35.00mm	222	111	444		Keyway Width:	10.00/10.05mm	8.00/10.05mm	
28 Feb 12	MC7M225-38mmQ10-28mmQ8	*38.00mm	*28.00mm	222	111	444		Keyway Width:	10.00/10.05mm	8.00/8.05mm	
09 Jan 12	MC7M225-38mmQ10-32mm	*38.00mm	*32.00mm	222	111	444		Keyway Width:	10.00/10.05mm		
26 Aug 09	MC7M225-40mmQ12-40mmQ12	*40.00mm	*40.00mm	222	111	444		Keyway Width:	12.00/12.05mm	8.00/12.05mm	

* NOTE: Bores greater than .000in Dia: bore depth is .870in

NOTICE: THE INFORMATION AND DATA CONTAINED HEREIN IS CONSIDERED PROPRIETARY TO HELICAL PRODUCTS COMPANY, INC., AND SHALL REMAIN THE EXCLUSIVE PROPERTY OF HELICAL. THE HOLDER WILL ASSUME CUSTODY AND CONTROL THAT THIS DOCUMENT WILL NOT BE COPIED, REPRODUCED OR DISCLOSED WITHOUT THE EXPRESS WRITTEN CONSENT OF HELICAL. POSSESSION OF THIS DOCUMENT DOES NOT CONSTITUTE A GRANT TO MANUFACTURE ANY ITEMS.

ADDITIONAL BORE SIZES AVAILABLE UPON REQUEST

APPROVALS	DATE	HELICAL PRODUCTS CO. INC P.O. BOX 1069 SANTA MARIA, CA. 93456 U.S.A PHONE (805) 928-3851 FSCI3201
DRAWN		
CHECKED		TITLE HELICAL FLEXIBLE SHAFT COUPLING
PRODN		TABULATED BORE SIZES
ISSUED	2/28/2012 3: 17: 40 PM	DWG NO MC7M225

Printed 2/28/2012 3: 19: 37 PM by Larry G

TABULATED DATA

Copyright HELICAL PRODUCTS CO INC

MATERIAL: 17-4PH CRES HT

FINISH: Natural

Drawing Number

MC7M225

REV

DO NOT SCALE DRAWING

SHT 10 of 10

ITEM DESCRIPTION (Part Number)	BORE SIZES		TORQUES (lbin)			KEYWAY Width	
	TOLERANCE +0.002in or +0.05mm -0.000 or 0		Momentary Dynamic	Non- Reversing	Shock or Reversing	TOLERANCE +0.002in or +0.05mm -0.000in or 0	
∅ A1	∅ A2	W1				W2	
MC7M225-30mm-30mm	30.00mm	30.00mm	444	222	111	---	---