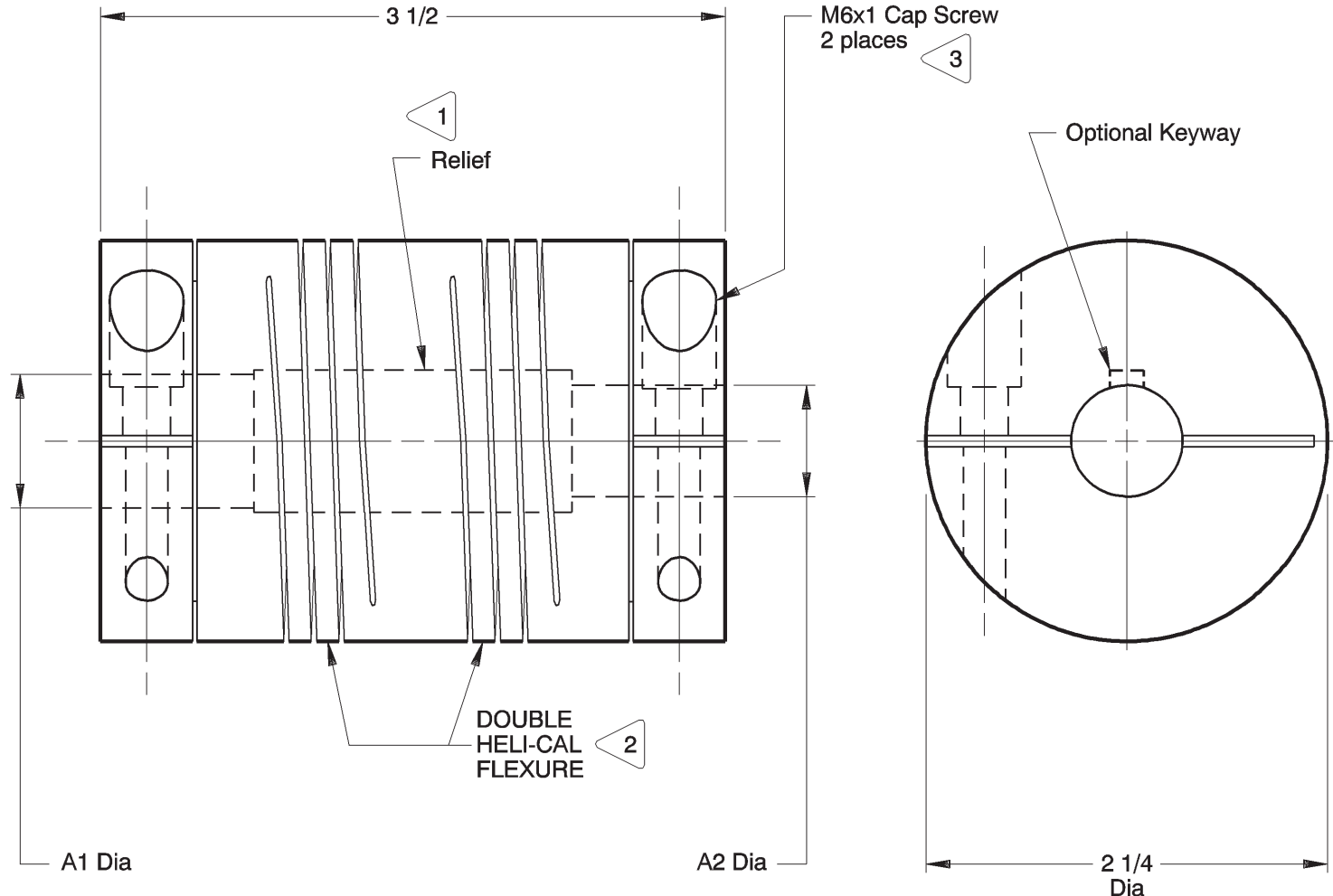


NOTES: See Tabulated Sheet

- 1 Relief permits component shafts to near butt.
- 2 Hubs and HELI-CAL FLEXURE are made from a single piece of material.
- 3 Integral Clamp attachment, hex. socket, ISO std., cap screw furnished: both hubs.
- 4 Backlash: None. No lubrication required.
- 5 Permitted axial motion from free length:  $\pm .010$ in.
- 6 Working torque ratings are based upon continuous duty with noted misalignments applied separately and may be increased with improved alignment:
- See Tabulated Sheet
- 7 Permissible shaft misalignment:  
Angular, up to 5 degrees.  
Offset, up to .030in.  
(TIR, .060in.)
- 8 Part will have a 2.511in. Clearance Diameter on both ends when any bore is over 1.266in. thru 1.539in.



MC7CM225-24-20 SHOWN

NOTICE: THE INFORMATION AND DATA CONTAINED HEREIN IS CONSIDERED PROPRIETARY TO HELICAL PRODUCTS COMPANY, AND SHALL REMAIN THE EXCLUSIVE PROPERTY OF HELICAL. THE HOLDER WILL ASSUME CUSTODY AND CONTROL THAT THIS DOCUMENT WILL NOT BE COPIED, REPRODUCED OR DISCLOSED WITHOUT THE EXPRESS WRITTEN CONSENT OF HELICAL. POSSESSION OF THIS DOCUMENT DOES NOT CONSTITUTE A GRANT TO MANUFACTURE ANY ITEMS.

DO NOT SCALE DRAWING.

10-13-98		Clerical format update/ No revision	BJM	MC
DATE	LTR	REVISION	CHK	

Unless otherwise noted dimensions in inches.

Tolerances are:  
Fractions:  $\pm 1/64$   
Decimals:  $.XX \pm .010$   
 $.XXX \pm .005$   
 $.XXXX \pm .0010$   
Angles:  $\pm 2$  degrees  
Break sharp corners  
.010 max.

APPROVALS	DATE
DRAWN ER	7-27-81
CHECKED MC	7-27-81
PRODN APA	7-27-81
ISSUED	
WEIGHT	1534g (calc)
SCALE 1/1	SIZE A

<p><b>HELICAL PRODUCTS CO.</b> P.O. BOX 1069 SANTA MARIA, CA. 93456 U.S.A PHONE (805) 928-3851 FSC13201</p>		
		TITLE
MATERIAL	17-4PH CRES	HT
FINISH	Natural	
DWG NO	MC7CM225	

ADDITION DATE	PART NUMBER	BORE TOLERANCES		TORQUES (lbin)			TORSIONAL FLEXIBILITY	MASS MOMENT OF INERTIA	COMMENTS	A1	A2	
		+.002in -.000in	or +.05mm -.00mm	Non-reversing	Shock or Reversing	Momentary						deg/lbin
09 Mar 88	MC7CM225-10mm-10mm	10.00mm	10.00mm	362	181	724						
07 Jul 88	MC7CM225-12mm-8mm	12.00mm	8.00mm	362	181	724						
09 Mar 88	MC7CM225-12mm-10mm	12.00mm	10.00mm	362	181	724						
09 Mar 88	MC7CM225-12mm-12mm	12.00mm	12.00mm	362	181	724						
	MC7CM225-13mm-13mm	13.00mm	13.00mm	358	179	716						
07 Jul 88	MC7CM225-14mm-8mm	14.00mm	8.00mm	354	177	708						
07 Jul 88	MC7CM225-14mm-10mm	14.00mm	10.00mm	354	177	708						
07 Jul 88	MC7CM225-14mm-12mm	14.00mm	12.00mm	354	177	708						
	MC7CM225-14mm-13mm	14.00mm	13.00mm	354	177	708						
20 Jul 00	MC7CM225-14mmQ5-14mmQ5	14.00mm	14.00mm	354	177	708		Keyway Width:	5.00/5.05mm	5.00/5.05mm		
09 Mar 88	MC7CM225-14mm-14mm	14.00mm	14.00mm	354	177	708						
09 Mar 88	MC7CM225-15mm-15mm	15.00mm	15.00mm	348	174	696						
09 Mar 88	MC7CM225-20K4-20K4	.625in	.625in	342	171	684		Keyway Width:	.188/.190in	.188/.190in		
21 Jul 89	MC7CM225-20-20	.625in	.625in	342	171	684						
26 Jul 00	MC7CM225-16mm-14mm	16.00mm	14.00mm	342	171	684						
04 Apr 01	MC7CM225-16mm-15mm	16.00mm	15.00mm	342	171	684						
09 Mar 88	MC7CM225-16mm-16mm	16.00mm	16.00mm	342	171	684						
	MC7CM225-16mmQ5-16mmQ5	16.00mm	16.00mm	342	171	684		Keyway Width:	5.00/5.05mm	5.00/5.05mm		
	MC7CM225-17mm-20	17.00mm	.625in	322	161	644						
06 Jun 89	MC7CM225-17mmQ5-17mm	17.00mm	17.00mm	322	161	644		Keyway Width:	5.00/5.05mm			
	MC7CM225-17mm-17mm	17.00mm	17.00mm	322	161	644						
	MC7CM225-18mm-14mm	18.00mm	14.00mm	308	154	616						
	MC7CM225-18mm-16mm	18.00mm	16.00mm	308	154	616						
09 Mar 88	MC7CM225-18mm-18mm	18.00mm	18.00mm	308	154	616						
09 Mar 88	MC7CM225-18mmQ6-18mmQ6	18.00mm	18.00mm	308	154	616		Keyway Width:	6.00/6.05mm	6.00/6.05mm		
	MC7CM225-19mm-12mm	19.00mm	12.00mm	296	148	592						
	MC7CM225-19mmQ8-14mmQ5	19.00mm	14.00mm	296	148	592		Keyway Width:	8.00/8.05mm	5.00/5.05mm		
	MC7CM225-19mmQ6-14mmQ5	19.00mm	14.00mm	296	148	592		Keyway Width:	6.00/6.05mm	5.00/5.05mm		
	MC7CM225-19mm-15mm	19.00mm	15.00mm	296	148	592						
	MC7CM225-19mmQ6-20K4	19.00mm	.625in	296	148	592		Keyway Width:	6.00/6.05mm	.188/.190in		
27 Feb 90	MC7CM225-19mm-16mm	19.00mm	16.00mm	296	148	592						

\* NOTE: Bores greater than .000in Dia: bore depth is .855in

NOTICE: THE INFORMATION AND DATA CONTAINED HEREIN IS CONSIDERED PROPRIETARY TO HELICAL PRODUCTS COMPANY, AND SHALL REMAIN THE EXCLUSIVE PROPERTY OF HELICAL. THE HOLDER WILL ASSUME CUSTODY AND CONTROL THAT THIS DOCUMENT WILL NOT BE COPIED, REPRODUCED OR DISCLOSED WITHOUT THE EXPRESS WRITTEN CONSENT OF HELICAL. POSSESSION OF THIS DOCUMENT DOES NOT CONSTITUTE A GRANT TO MANUFACTURE ANY ITEMS.

**ADDITIONAL BORE SIZES AVAILABLE UPON REQUEST**

APPROVALS

DATE

HELICAL PRODUCTS CO.

P.O. BOX 1069 SANTA MARIA, CA. 93456 U.S.A  
PHONE (805) 928-3851 FSCI3201

DRAWN

CHECKED

PRODN

ISSUED

6/17/2010  
3:06:02 PM

TITLE **HELICAL FLEXIBLE SHAFT COUPLING**

**TABULATED BORE SIZES**

DWG NO

MC7CM225

ADDITION DATE	PART NUMBER	BORE TOLERANCES		TORQUES (lbin)			TORSIONAL FLEXIBILITY deg/lbin	MASS MOMENT OF INERTIA	COMMENTS	A1	A2
		+.002in -.000in	or +.05mm -.00mm	Non-reversing	Shock or Reversing	Momentary					
23 Mar 01	MC7CM225-19mmQ6-16mm	19.00mm	16.00mm	296	148	592			Keyway Width:	6.00/6.05mm	
22 Mar 04	MC7CM225-19mmQ6-16mmQ6	19.00mm	16.00mm	296	148	592			Keyway Width:	6.00/6.05mm	6.00/6.05mm
	MC7CM225-19mmQ6-16mmQ5	19.00mm	16.00mm	296	148	592			Keyway Width:	6.00/6.05mm	5.00/5.05mm
	MC7CM225-19mmQ6-17mmQ5	19.00mm	17.00mm	296	148	592			Keyway Width:	6.00/6.05mm	5.00/5.05mm
	MC7CM225-19mmQ6-18mmQ6	19.00mm	18.00mm	296	148	592			Keyway Width:	6.00/6.05mm	6.00/6.05mm
	MC7CM225-19mmQ6-19mmQ6	19.00mm	19.00mm	296	148	592			Keyway Width:	6.00/6.05mm	6.00/6.05mm
	MC7CM225-19mmQ5-19mmQ5	19.00mm	19.00mm	296	148	592			Keyway Width:	5.00/5.05mm	5.00/5.05mm
09 Mar 88	MC7CM225-19mm-19mm	19.00mm	19.00mm	296	148	592					
	MC7CM225-24K4-22K4	.750in	.688in	284	142	568			Keyway Width:	.188/.190in	.188/.190in
	MC7CM225-24-19mm	.750in	19.00mm	284	142	568					
	MC7CM225-24K4-24K4	.750in	.750in	284	142	568			Keyway Width:	.188/.190in	.188/.190in
09 Mar 88	MC7CM225-24-24	.750in	.750in	284	142	568					
07 Jul 88	MC7CM225-20mm-10mm	20.00mm	10.00mm	282	141	564					
	MC7CM225-20mmQ6-10mmQ4	20.00mm	10.00mm	282	141	564			Keyway Width:	6.00/6.05mm	4.00/4.05mm
11 Jul 02	MC7CM225-20mmQ6-12mm	20.00mm	12.00mm	282	141	564			Keyway Width:	6.00/6.05mm	
	MC7CM225-20mm-16	20.00mm	.500in	282	141	564					
07 Jul 88	MC7CM225-20mm-14mm	20.00mm	14.00mm	282	141	564					
07 Jul 88	MC7CM225-20mmQ6-14mmQ5	20.00mm	14.00mm	282	141	564			Keyway Width:	6.00/6.05mm	5.00/5.05mm
	MC7CM225-20mmQ6-15mmQ5	20.00mm	15.00mm	282	141	564			Keyway Width:	6.00/6.05mm	5.00/5.05mm
	MC7CM225-20mmQ6-20K4	20.00mm	.625in	282	141	564			Keyway Width:	6.00/6.05mm	.188/.190in
02 Nov 88	MC7CM225-20mm-16mm	20.00mm	16.00mm	282	141	564					
09 Mar 88	MC7CM225-20mmQ6-16mmQ5	20.00mm	16.00mm	282	141	564			Keyway Width:	6.00/6.05mm	5.00/5.05mm
	MC7CM225-20mm-18mm	20.00mm	18.00mm	282	141	564					
08 Nov 99	MC7CM225-20mm-19mm	20.00mm	19.00mm	282	141	564					
09 Mar 88	MC7CM225-20mmQ6-19mmQ6	20.00mm	19.00mm	282	141	564			Keyway Width:	6.00/6.05mm	6.00/6.05mm
09 Mar 88	MC7CM225-20mmQ6-24K4	20.00mm	.750in	282	141	564			Keyway Width:	6.00/6.05mm	.188/.190in
14 Dec 09	MC7CM225-20mmQ6-24	20.00mm	.750in	282	141	564			Keyway Width:	6.00/6.05mm	
	MC7CM225-20mm-24	20.00mm	.750in	282	141	564					
	MC7CM225-20mmQ6-20mmQ6	20.00mm	20.00mm	282	141	564			Keyway Width:	6.00/6.05mm	6.00/6.05mm
09 Mar 88	MC7CM225-20mm-20mm	20.00mm	20.00mm	282	141	564					
	MC7CM225-20mmQ5-20mmQ5	20.00mm	20.00mm	282	141	564			Keyway Width:	5.00/5.05mm	5.00/5.05mm
	MC7CM225-22mm-12	22.00mm	.375in	264	132	528					

\* NOTE: Bores greater than 1.000in Dia: bore depth is .855in

NOTICE: THE INFORMATION AND DATA CONTAINED HEREIN IS CONSIDERED PROPRIETARY TO HELICAL PRODUCTS COMPANY, AND SHALL REMAIN THE EXCLUSIVE PROPERTY OF HELICAL. THE HOLDER WILL ASSUME CUSTODY AND CONTROL THAT THIS DOCUMENT WILL NOT BE COPIED, REPRODUCED OR DISCLOSED WITHOUT THE EXPRESS WRITTEN CONSENT OF HELICAL. POSSESSION OF THIS DOCUMENT DOES NOT CONSTITUTE A GRANT TO MANUFACTURE ANY ITEMS.

**ADDITIONAL BORE SIZES AVAILABLE UPON REQUEST**

APPROVALS	DATE
DRAWN	
CHECKED	
PRODN	
ISSUED	6/17/2010 3:06:02 PM

HELICAL PRODUCTS CO.  
 P.O. BOX 1069 SANTA MARIA, CA. 93456 U.S.A  
 PHONE (805) 928-3851 FSCI3201

TITLE **HELICAL FLEXIBLE SHAFT COUPLING**

**TABULATED BORE SIZES**

DWG NO **MC7CM225**

Printed 6/17/2010 3:06:50 PM by Larryvg

ADDITION DATE	PART NUMBER	BORE TOLERANCES		TORQUES (lbin)			TORSIONAL FLEXIBILITY	MASS MOMENT OF INERTIA	COMMENTS	A1	A2	
		+.002in -.000in	or +.05mm -.00mm	Non-reversing	Shock or Reversing	Momentary						deg/lbin
27 May 03	MC7CM225-22mm-10mm	22.00mm	10.00mm	264	132	528						
	MC7CM225-22mmQ6-12mmQ4	22.00mm	12.00mm	264	132	528		Keyway Width:	6.00/6.05mm	4.00/4.05mm		
	MC7CM225-22mm-12mm	22.00mm	12.00mm	264	132	528						
	MC7CM225-22mmQ6-16K3	22.00mm	.500in	264	132	528		Keyway Width:	6.00/6.05mm	.125/.127in		
09 Jul 04	MC7CM225-22mm-14mm	22.00mm	14.00mm	264	132	528						
17 Aug 04	MC7CM225-22mm-15mm	22.00mm	15.00mm	264	132	528						
	MC7CM225-22mmQ6-16mmQ6	22.00mm	16.00mm	264	132	528		Keyway Width:	6.00/6.05mm	6.00/6.05mm		
	MC7CM225-22mm-16mm	22.00mm	16.00mm	264	132	528						
20 Jul 88	MC7CM225-22mm-17mm	22.00mm	17.00mm	264	132	528						
23 Dec 04	MC7CM225-22mm-18mm	22.00mm	18.00mm	264	132	528						
	MC7CM225-22mmQ6-19mmQ6	22.00mm	19.00mm	264	132	528		Keyway Width:	6.00/6.05mm	6.00/6.05mm		
	MC7CM225-22mm-19mm	22.00mm	19.00mm	264	132	528						
23 May 89	MC7CM225-22mm-20mm	22.00mm	20.00mm	264	132	528						
05 Feb 04	MC7CM225-22mmQ6-20mmQ6	22.00mm	20.00mm	264	132	528		Keyway Width:	6.00/6.05mm	6.00/6.05mm		
28 Sep 88	MC7CM225-22mm-22mm	22.00mm	22.00mm	264	132	528						
	MC7CM225-22mmQ6-22mmQ6	22.00mm	22.00mm	264	132	528		Keyway Width:	6.00/6.05mm	6.00/6.05mm		
	MC7CM225-28-24	.875in	.750in	262	131	524						
20 Jul 88	MC7CM225-28-28	.875in	.875in	262	131	524						
20 Jul 88	MC7CM225-22.4mmQ8-16	22.40mm	.500in	256	128	512		Keyway Width:	8.00/8.05mm			
	MC7CM225-24mm-10mm	24.00mm	10.00mm	236	118	472						
23 Jan 91	MC7CM225-24mmQ8-12mmQ4	24.00mm	12.00mm	236	118	472		Keyway Width:	8.00/8.05mm	4.00/4.05mm		
	MC7CM225-24mm-12mm	24.00mm	12.00mm	236	118	472						
07 Jun 02	MC7CM225-24mm-16	24.00mm	.500in	236	118	472						
	MC7CM225-24mm-14mm	24.00mm	14.00mm	236	118	472						
	MC7CM225-24mmQ8-14mmQ5	24.00mm	14.00mm	236	118	472		Keyway Width:	8.00/8.05mm	5.00/5.05mm		
	MC7CM225-24mm-15mm	24.00mm	15.00mm	236	118	472						
	MC7CM225-24mmQ8-20K4	24.00mm	.625in	236	118	472		Keyway Width:	8.00/8.05mm	.188/.190in		
	MC7CM225-24mmQ8-16mmQ5	24.00mm	16.00mm	236	118	472		Keyway Width:	8.00/8.05mm	5.00/5.05mm		
16 May 00	MC7CM225-24mm-16mm	24.00mm	16.00mm	236	118	472						
	MC7CM225-24mm-17mm	24.00mm	17.00mm	236	118	472						
20 Oct 88	MC7CM225-24mm-18mm	24.00mm	18.00mm	236	118	472						

\* NOTE: Bores greater than .000in Dia: bore depth is .855in

NOTICE: THE INFORMATION AND DATA CONTAINED HEREIN IS CONSIDERED PROPRIETARY TO HELICAL PRODUCTS COMPANY, AND SHALL REMAIN THE EXCLUSIVE PROPERTY OF HELICAL. THE HOLDER WILL ASSUME CUSTODY AND CONTROL THAT THIS DOCUMENT WILL NOT BE COPIED, REPRODUCED OR DISCLOSED WITHOUT THE EXPRESS WRITTEN CONSENT OF HELICAL. POSSESSION OF THIS DOCUMENT DOES NOT CONSTITUTE A GRANT TO MANUFACTURE ANY ITEMS.

**ADDITIONAL BORE SIZES AVAILABLE UPON REQUEST**

APPROVALS

DATE

HELICAL PRODUCTS CO.

P.O. BOX 1069 SANTA MARIA, CA. 93456 U.S.A  
PHONE (805) 928-3851 FSCI3201

DRAWN

CHECKED

PRODN

ISSUED

6/17/2010  
3:06:02 PM

TITLE

DWG NO

**HELICAL FLEXIBLE SHAFT COUPLING**

**TABULATED BORE SIZES**

MC7CM225

Printed 6/17/2010 3:06:50 PM by Larryvg

ADDITION DATE	PART NUMBER	BORE TOLERANCES		TORQUES (lbin)			TORSIONAL FLEXIBILITY deg/lbin	MASS MOMENT OF INERTIA	COMMENTS	A1	A2
		+.002in -.000in	or +.05mm -.00mm	Non-reversing	Shock or Reversing	Momentary					
28 Sep 88	MC7CM225-24mmQ8-18mm	24.00mm	18.00mm	236	118	472		Keyway Width:	8.00/8.05mm		
	MC7CM225-24mmQ8-18mmQ6	24.00mm	18.00mm	236	118	472		Keyway Width:	8.00/8.05mm6.00/6.05mm		
	MC7CM225-24mm-19mm	24.00mm	19.00mm	236	118	472					
	MC7CM225-24mmQ8-19mmQ6	24.00mm	19.00mm	236	118	472		Keyway Width:	8.00/8.05mm6.00/6.05mm		
08 Mar 02	MC7CM225-24mm-24	24.00mm	.750in	236	118	472					
	MC7CM225-24mm-20mm	24.00mm	20.00mm	236	118	472					
09 Mar 88	MC7CM225-24mmQ8-20mmQ6	24.00mm	20.00mm	236	118	472		Keyway Width:	8.00/8.05mm6.00/6.05mm		
09 Mar 88	MC7CM225-24mm-22mm	24.00mm	22.00mm	236	118	472					
	MC7CM225-24mm-28	24.00mm	.875in	236	118	472					
	MC7CM225-24mm-23mm	24.00mm	23.00mm	236	118	472					
	MC7CM225-24mmQ8-24mm	24.00mm	24.00mm	236	118	472		Keyway Width:	8.00/8.05mm		
09 Mar 88	MC7CM225-24mm-24mm	24.00mm	24.00mm	236	118	472					
20 Jul 88	MC7CM225-24mmQ8-24mmQ8	24.00mm	24.00mm	236	118	472		Keyway Width:	8.00/8.05mm8.00/8.05mm		
	MC7CM225-25mm-12	25.00mm	.375in	222	111	444					
09 Mar 88	MC7CM225-25mm-11mm	25.00mm	11.00mm	222	111	444					
09 Mar 88	MC7CM225-25mm-12mm	25.00mm	12.00mm	222	111	444					
04 Oct 02	MC7CM225-25mmQ8-15mmQ5	25.00mm	15.00mm	222	111	444		Keyway Width:	8.00/8.05mm5.00/5.05mm		
	MC7CM225-25mm-15mm	25.00mm	15.00mm	222	111	444					
28 Oct 02	MC7CM225-25mmQ8-16mmQ5	25.00mm	16.00mm	222	111	444		Keyway Width:	8.00/8.05mm5.00/5.05mm		
22 Feb 06	MC7CM225-25mm-16mm	25.00mm	16.00mm	222	111	444					
28 Sep 88	MC7CM225-25mm-17mm	25.00mm	17.00mm	222	111	444					
	MC7CM225-25mm-18mm	25.00mm	18.00mm	222	111	444					
	MC7CM225-25mmQ8-19mmQ6	25.00mm	19.00mm	222	111	444		Keyway Width:	8.00/8.05mm6.00/6.05mm		
28 Sep 88	MC7CM225-25mm-19mm	25.00mm	19.00mm	222	111	444					
20 Jul 88	MC7CM225-25mm-24	25.00mm	.750in	222	111	444					
09 Mar 88	MC7CM225-25mmQ8-20mmQ6	25.00mm	20.00mm	222	111	444		Keyway Width:	8.00/8.05mm6.00/6.05mm		
09 Mar 88	MC7CM225-25mm-20mm	25.00mm	20.00mm	222	111	444					
16 Jun 10	MC7CM225-25mm-20mmQ6	25.00mm	20.00mm	222	111	444		Keyway Width:	6.00/6.05mm		
09 Mar 88	MC7CM225-25mm-22mm	25.00mm	22.00mm	222	111	444					
	MC7CM225-25mmQ8-22mmQ6	25.00mm	22.00mm	222	111	444		Keyway Width:	8.00/8.05mm6.00/6.05mm		
09 Mar 88	MC7CM225-25mm-28	25.00mm	.875in	222	111	444					

\* NOTE: Bores greater than .000in Dia: bore depth is .855in

NOTICE: THE INFORMATION AND DATA CONTAINED HEREIN IS CONSIDERED PROPRIETARY TO HELICAL PRODUCTS COMPANY, AND SHALL REMAIN THE EXCLUSIVE PROPERTY OF HELICAL. THE HOLDER WILL ASSUME CUSTODY AND CONTROL THAT THIS DOCUMENT WILL NOT BE COPIED, REPRODUCED OR DISCLOSED WITHOUT THE EXPRESS WRITTEN CONSENT OF HELICAL. POSSESSION OF THIS DOCUMENT DOES NOT CONSTITUTE A GRANT TO MANUFACTURE ANY ITEMS.

**ADDITIONAL BORE SIZES AVAILABLE UPON REQUEST**

APPROVALS	DATE	HELICAL PRODUCTS CO. P.O. BOX 1069 SANTA MARIA, CA. 93456 U.S.A PHONE (805) 928-3851 FSCI3201
DRAWN		
CHECKED		TITLE
PRODN		<b>HELICAL FLEXIBLE SHAFT COUPLING</b>
ISSUED	6/17/2010 3: 06: 02 PM	DWG NO <b>MC7CM225</b>

Printed 6/17/2010 3: 06: 50 PM by Larry Yg

ADDITION DATE	PART NUMBER	BORE TOLERANCES		TORQUES (lbin)			TORSIONAL FLEXIBILITY	MASS MOMENT OF INERTIA	COMMENTS	A1	A2	
		+.002in -.000in	or +.05mm -.00mm	Non-reversing	Shock or Reversing	Momentary						deg/lbin
	MC7CM225-25mmQ8-24mmQ8	25.00mm	24.00mm	222	111	444			Keyway Width:	8.00/8.05mm	8.00/8.05mm	
	MC7CM225-25mm-24mm	25.00mm	24.00mm	222	111	444						
	MC7CM225-25mmK5-25mmK5	25.00mm	25.00mm	222	111	444			Keyway Width:	.250/.252in	.250/.252in	
16 Jun 89	MC7CM225-25mmQ8-25mm	25.00mm	25.00mm	222	111	444			Keyway Width:	8.00/8.05mm		
16 Jun 89	MC7CM225-25mmQ8-25mmQ8	25.00mm	25.00mm	222	111	444			Keyway Width:	8.00/8.05mm	8.00/8.05mm	
09 Mar 88	MC7CM225-25mm-25mm	25.00mm	25.00mm	222	111	444						
05 Jun 89	MC7CM225-32-10mm	1.000in	10.00mm	222	111	444						
	MC7CM225-32K5-20K4	1.000in	.625in	222	111	444			Keyway Width:	.250/.252in	.188/.190in	
	MC7CM225-32-20	1.000in	.625in	222	111	444						
21 Nov 89	MC7CM225-32-16mm	1.000in	16.00mm	222	111	444						
	MC7CM225-32-18mm	1.000in	18.00mm	222	111	444						
16 Dec 04	MC7CM225-32-18mmQ6	1.000in	18.00mm	222	111	444			Keyway Width:		6.00/6.05mm	
	MC7CM225-32-19mm	1.000in	19.00mm	222	111	444						
20 Dec 90	MC7CM225-32-24	1.000in	.750in	222	111	444						
15 Dec 06	MC7CM225-32-20mm	1.000in	20.00mm	222	111	444						
09 Sep 05	MC7CM225-32K5-20mmQ6	1.000in	20.00mm	222	111	444			Keyway Width:	.250/.252in	6.00/6.05mm	
15 Dec 06	MC7CM225-32-22mm	1.000in	22.00mm	222	111	444						
	MC7CM225-32-25mm	1.000in	25.00mm	222	111	444						
09 Mar 88	MC7CM225-32-32	1.000in	1.000in	222	111	444						
	MC7CM225-27mm-24mm	*27.00mm	24.00mm	222	111	444						
	MC7CM225-28mm-16mm	*28.00mm	16.00mm	222	111	444						
23 Aug 89	MC7CM225-28mmQ8-16mmQ5	*28.00mm	16.00mm	222	111	444			Keyway Width:	8.00/8.05mm	5.00/5.05mm	
20 Apr 01	MC7CM225-28mm-18mm	*28.00mm	18.00mm	222	111	444						
09 Mar 88	MC7CM225-28mm-19mm	*28.00mm	19.00mm	222	111	444						
20 Jul 88	MC7CM225-28mm-20mm	*28.00mm	20.00mm	222	111	444						
13 Nov 90	MC7CM225-28mmQ8-24mmQ8	*28.00mm	24.00mm	222	111	444			Keyway Width:	8.00/8.05mm	8.00/8.05mm	
	MC7CM225-28mm-24mm	*28.00mm	24.00mm	222	111	444						
	MC7CM225-28mm-32	*28.00mm	1.000in	222	111	444						
29 Oct 90	MC7CM225-28mmQ8-28mmQ8	*28.00mm	*28.00mm	222	111	444			Keyway Width:	8.00/8.05mm	8.00/8.05mm	
09 Mar 88	MC7CM225-28mm-28mm	*28.00mm	*28.00mm	222	111	444						
	MC7CM225-30mm-12	*30.00mm	.375in	222	111	444						

\* NOTE: Bores greater than 1.000in Dia: bore depth is .855in

NOTICE: THE INFORMATION AND DATA CONTAINED HEREIN IS CONSIDERED PROPRIETARY TO HELICAL PRODUCTS COMPANY, AND SHALL REMAIN THE EXCLUSIVE PROPERTY OF HELICAL. THE HOLDER WILL ASSUME CUSTODY AND CONTROL THAT THIS DOCUMENT WILL NOT BE COPIED, REPRODUCED OR DISCLOSED WITHOUT THE EXPRESS WRITTEN CONSENT OF HELICAL. POSSESSION OF THIS DOCUMENT DOES NOT CONSTITUTE A GRANT TO MANUFACTURE ANY ITEMS.

**ADDITIONAL BORE SIZES AVAILABLE UPON REQUEST**

APPROVALS	DATE
DRAWN	
CHECKED	
PRODN	
ISSUED	6/17/2010 3:06:02 PM

HELICAL PRODUCTS CO.  
P.O. BOX 1069 SANTA MARIA, CA. 93456 U.S.A  
PHONE (805) 928-3851 FSCI3201

TITLE **HELICAL FLEXIBLE SHAFT COUPLING**

**TABULATED BORE SIZES**

DWG NO **MC7CM225**

Printed 6/17/2010 3:06:50 PM by Larry Yg

ADDITION DATE	PART NUMBER	BORE TOLERANCES		TORQUES (lbin)			TORSIONAL FLEXIBILITY deg/lbin	MASS MOMENT OF INERTIA	COMMENTS	A1	A2
		+.002in -.000in	or +.05mm -.00mm	Non-reversing	Shock or Reversing	Momentary					
09 Aug 00	MC7CM225-30mm-28	*30.00mm	.875in	222	111	444					
09 Mar 88	MC7CM225-30mm-24mm	*30.00mm	24.00mm	222	111	444					
24 Feb 06	MC7CM225-30mm-25mm	*30.00mm	25.00mm	222	111	444					
	MC7CM225-30mmQ8-30mmQ8	*30.00mm	*30.00mm	222	111	444		Keyway Width:	8.00/8.05mm	8.00/8.05mm	
	MC7CM225-30mm-30mm	*30.00mm	*30.00mm	222	111	444					
	MC7CM225-40K5-40K5	*1.250in	*1.250in	222	111	444		Keyway Width:	.250/.252in	.250/.252in	
09 Dec 08	MC7CM225-32mmQ10-15mmQ5	*32.00mm	15.00mm	222	111	444		Keyway Width:	10.00/10.05mm	10.00/5.05mm	
24 Jul 01	MC7CM225-32mm-20mm	*32.00mm	20.00mm	222	111	444					
	MC7CM225-32mm-24mm	*32.00mm	24.00mm	222	111	444					
	MC7CM225-32mm-27mm	*32.00mm	*27.00mm	222	111	444					
	MC7CM225-32mmQ10-36K5	*32.00mm	*1.125in	222	111	444		Keyway Width:	10.00/10.05mm	250/.252in	
	MC7CM225-32mmQ10-40K6	*32.00mm	*1.250in	222	111	444		Keyway Width:	10.00/10.05mm	313/.315in	
07 Feb 01	MC7CM225-32mmQ10-32mmQ10	*32.00mm	*32.00mm	222	111	444		Keyway Width:	10.00/10.05mm	10.00/10.05mm	
	MC7CM225-35mmQ8-20K4	*35.00mm	.625in	222	111	444		Clearance Diam.:	2.511in		
	MC7CM225-35mmQ10-19mmQ6	*35.00mm	19.00mm	222	111	444		Keyway Width:	8.00/8.05mm	188/.190in	
	MC7CM225-35mmQ6-19mmQ6	*35.00mm	19.00mm	222	111	444		Clearance Diam.:	2.511in		
	MC7CM225-35mm-19mm	*35.00mm	19.00mm	222	111	444		Keyway Width:	10.00/10.05mm	6.00/6.05mm	
05 Jun 01	MC7CM225-35mm-22mmQ6	*35.00mm	22.00mm	222	111	444		Clearance Diam.:	2.511in		
	MC7CM225-35mm-24mm	*35.00mm	24.00mm	222	111	444		Keyway Width:	6.00/6.05mm		
	MC7CM225-35mm-32mmQ10	*35.00mm	*32.00mm	222	111	444		Clearance Diam.:	2.511in		
	MC7CM225-35mm-32.3mm	*35.00mm	*32.30mm	222	111	444		Clearance Diam.:	2.511in		
11 Aug 89	MC7CM225-35mmQ10-35mmQ10	*35.00mm	*35.00mm	222	111	444		Clearance Diam.:	2.511in		
	MC7CM225-35mm-35mm	*35.00mm	*35.00mm	222	111	444		Keyway Width:	10.00/10.05mm	10.00/10.05mm	
11 Aug 89	MC7CM225-35mm-35mm	*35.00mm	*35.00mm	222	111	444		Clearance Diam.:	2.511in		

\* NOTE: Bores greater than 1.000in Dia: bore depth is .855in

NOTICE: THE INFORMATION AND DATA CONTAINED HEREIN IS CONSIDERED PROPRIETARY TO HELICAL PRODUCTS COMPANY, AND SHALL REMAIN THE EXCLUSIVE PROPERTY OF HELICAL. THE HOLDER WILL ASSUME CUSTODY AND CONTROL THAT THIS DOCUMENT WILL NOT BE COPIED, REPRODUCED OR DISCLOSED WITHOUT THE EXPRESS WRITTEN CONSENT OF HELICAL. POSSESSION OF THIS DOCUMENT DOES NOT CONSTITUTE A GRANT TO MANUFACTURE ANY ITEMS.

**ADDITIONAL BORE SIZES AVAILABLE UPON REQUEST**

APPROVALS	DATE	HELICAL PRODUCTS CO.
DRAWN		P.O. BOX 1069 SANTA MARIA, CA. 93456 U.S.A PHONE (805) 928-3851 FSC13201
CHECKED		TITLE <b>HELICAL FLEXIBLE SHAFT COUPLING</b>
PRODN		<b>TABULATED BORE SIZES</b>
ISSUED	6/17/2010 3:06:02 PM	DWG NO <b>MC7CM225</b>

Printed 6/17/2010 3:06:50 PM by larryg



# TABULATED DATA

Copyright HELICAL PRODUCTS CO

MATERIAL: 17-4PH CRES HT

FINISH: Natural

Drawing Number

**MC7CM225**

REV

DO NOT SCALE DRAWING

SHT 7 of 7

ITEM DESCRIPTION (Part Number)	BORE SIZES		TORQUES (lbin)			KEYWAY Width	
	TOLERANCE +0.002in or +0.05mm -0.000 or 0		Momentary Dynamic	Non- Reversing	Shock or Reversing	TOLERANCE +0.002in or +0.05mm -0.000in or 0	
Ø A1	Ø A2	W1				W2	
MC7CM225-36-28	1.125in	.875in	222	111	444	---	---
MC7CM225-25mmQ8-12mmQ4	25.00mm	12.00mm	222	111	444	8.00mm	4.00mm
MC7CM225-28-20	.875in	.625in	262	131	524		
MC7CM225-25mm-14mm	25.00mm	14.00mm	222	111	444		
MC7CM225-32mmQ10-28mmQ8	32.00mm	28.00mm	222	111	444	10.00mm	8.00mm
MC7CM225-28mm-25mm	28.00mm	25.00mm	222	111	444		