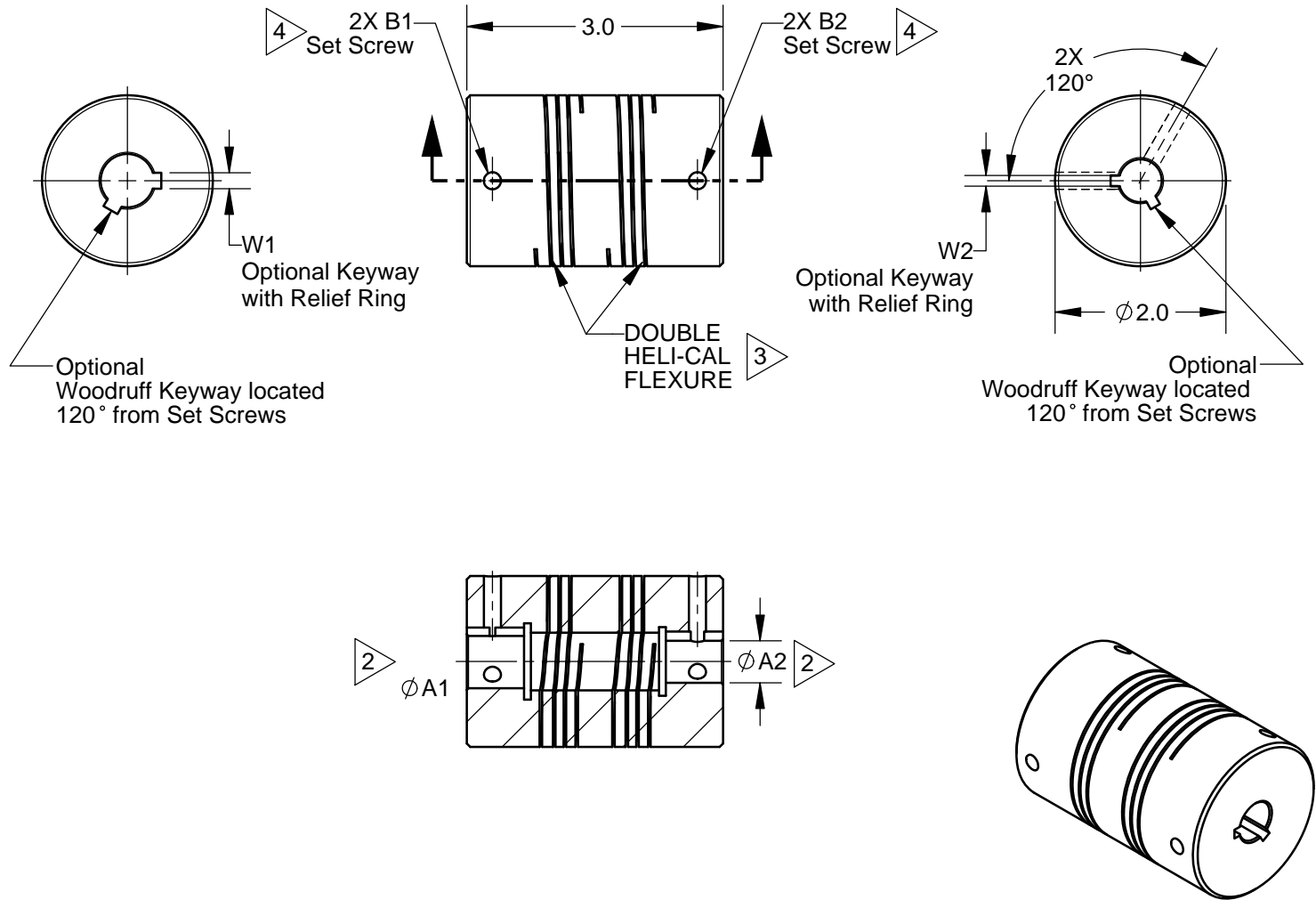


NOTES:

- 1 Refer to Secondary Sheet for Tabulated Data.
- 2  $\phi$ A1 and  $\phi$ A2 shafts may near butt except:  
 When any Bore  $> \phi .750$  the component shaft MAX penetration is .745.  
 or  
 when both Bores  $> \phi .750$  the component shaft MAX penetration is .745 & the MIN shaft end to shaft end is 1.510.
- 3 Hubs and HELI-CAL FLEXURE are made from a single piece of material.
- 4 Set Screw attachment, hex socket, cup point set screw furnished: both hubs.
- 5 Backlash: None.  
No lubrication required.
- 6 Permitted axial motion from free length:  $\pm .010$
- 7 Working torque ratings are based upon continuous duty with noted misalignments applied separately and may be increased with improved alignment.  
Refer to Tabulated Data
- 8 Permissible shaft misalignment:  
Angular, up to  $5^\circ$   
Offset, up to .030 (FIM, .060)
- 9 Weight based on MC7200-20K4-16K4



NOTICE: THE INFORMATION AND DATA CONTAINED HEREIN IS CONSIDERED PROPRIETARY TO HELICAL PRODUCTS COMPANY, INC., AND SHALL REMAIN THE EXCLUSIVE PROPERTY OF HELICAL. THE HOLDER WILL ASSUME CUSTODY AND CONTROL THAT THIS DOCUMENT WILL NOT BE COPIED, REPRODUCED OR DISCLOSED WITHOUT THE EXPRESS WRITTEN CONSENT OF HELICAL. POSSESSION OF THIS DOCUMENT DOES NOT CONSTITUTE A GRANT TO MANUFACTURE ANY ITEM. Copyright HELICAL PRODUCTS CO. INC.

11-25-14	---	ECR#14102000 Added calc. weight	DCE	EK
11-04-13	---	Redrawn in Solidworks	JAJ	EK
02-01-99	---	Clerical Format Update/ No Revision	BJM	MC
DATE	LTR	REVISION	APVR	

Unless otherwise specified all tolerances and dimensions are in inches.

Inch	Metric
X/XX $\pm$ 1/64	X $\pm$ 0.5mm
.XX $\pm$ .01	X.X $\pm$ 0.25mm
.XXX $\pm$ .005	X.XX $\pm$ 0.15mm
Angles $\pm 2^\circ$	

Break sharp corners .010 MAX  
All surface finish 63 roughness  
Do Not Scale Drawing



**HELICAL**  
PRODUCTS COMPANY, INC.

901 West McCoy Lane  
P.O. BOX 1069  
SANTA MARIA, CA. 93456 U.S.A.  
PHONE (805) 928-3851 FSC13201

DRAWN BY ER	DATE 01-28-82	TITLE HELICAL FLEXIBLE SHAFT COUPLING
CHECKED BY MC	DATE 01-28-82	MATL 17-4PH CRES HT
APPRVD BY APA	DATE 01-28-82	FINISH Natural
WEIGHT (calculated) 987 g		DRAWING NUMBER <b>MC7200</b>
SHEET 1 of 5		REV

# TABULATED DATA

Copyright HELICAL PRODUCTS CO INC

MATERIAL: 17-4PH CRES HT

FINISH: Natural

Drawing Number

**MC7200**

REV

DO NOT SCALE DRAWING

SHT 2 of 5

ITEM DESCRIPTION (Part Number)	BORE SIZES		TORQUES (lbin)			SET SCREW THREAD		KEYWAY DIMS Width	
	TOLERANCE +0.002in or +0.05mm -0.000in or 0		Momentary Dynamic	Non- Reversing	Shock or Reversing	B1	B2	TOLERANCE +0.002in or +0.05mm -0.000in or 0	
	Ø A1	Ø A2						W1	W2
MC7200-12-12	.375in	.375in	475	237	119	1/4-28	1/4-28	---	---
MC7200-10mmQ3-12K1	10.00mm	.375in	474	237	118	1/4-28	1/4-28	3.00mm	.094
MC7200-10mmQ3-10mm	10.00mm	10.00mm	474	237	118	1/4-28	1/4-28	3.00mm	---
MC7200-10mmQ3-10mmQ3	10.00mm	10.00mm	474	237	118	1/4-28	1/4-28	3.00mm	3.00mm
MC7200-16-8	.500in	.250in	456	228	114	1/4-28	#10-32	---	---
MC7200-16-12	.500in	.375in	456	228	114	1/4-28	1/4-28	---	---
MC7200-16-10mm	.500in	10.00mm	456	228	114	1/4-28	1/4-28	---	---
MC7200-16-12mmQ4	.500in	12.00mm	456	228	114	1/4-28	1/4-28	---	4.00mm
MC7200-16K3-12mmQ4	.500in	12.00mm	456	228	114	1/4-28	1/4-28	.125	4.00mm
MC7200-16-16	.500in	.500in	456	228	114	1/4-28	1/4-28	---	---
MC7200-16K3-16	.500in	.500in	456	228	114	1/4-28	1/4-28	.125	---
MC7200-16K3-16K3	.500in	.500in	456	228	114	1/4-28	1/4-28	.125	.125
MC7200-16W04-16W04	.500in	.500in	456	228	114	1/4-28	1/4-28	.126	.126
MC7200-16W06-16W04	.500in	.500in	456	228	114	1/4-28	1/4-28	.189	.126
MC7200-14mmQ5-11mmQ4	14.00mm	11.00mm	424	212	106	1/4-28	1/4-28	5.00mm	4.00mm
MC7200-14mmQ5-14mmQ5	14.00mm	14.00mm	424	212	106	1/4-28	1/4-28	5.00mm	5.00mm
MC7200-18-15	.563in	.469in	420	210	105	1/4-28	1/4-28	---	---
MC7200-18-16	.563in	.500in	420	210	105	1/4-28	1/4-28	---	---
MC7200-18-18	.563in	.563in	420	210	105	1/4-28	1/4-28	---	---

# TABULATED DATA

Copyright HELICAL PRODUCTS CO INC

MATERIAL: 17-4PH CRES HT

FINISH: Natural

Drawing Number

**MC7200**

REV

DO NOT SCALE DRAWING

SHT 3 of 5

ITEM DESCRIPTION (Part Number)	BORE SIZES		TORQUES (lbin)			SET SCREW THREAD		KEYWAY DIMS Width	
	TOLERANCE +0.002in or +0.05mm -0.000in or 0		Momentary Dynamic	Non- Reversing	Shock or Reversing	B1	B2	TOLERANCE +0.002in or +0.05mm -0.000in or 0	
	Ø A1	Ø A2						W1	W2
MC7200-20K4-10	.625in	.313in	384	192	96	1/4-28	1/4-28	.188in	---
MC7200-20-12	.625in	.375in	384	192	96	1/4-28	1/4-28	---	---
MC7200-20K4-12K3	.625in	.375in	384	192	96	1/4-28	1/4-28	.188in	.125in
MC7200-20K4-10mm	.625in	10.00mm	384	192	96	1/4-28	1/4-28	.188in	---
MC7200-20K4-10mmQ3	.625in	10.00mm	384	192	96	1/4-28	1/4-28	.188in	3.00mm
MC7200-20Q5-10mmQ3	.625in	10.00mm	384	192	96	1/4-28	1/4-28	5.00mm	3.00mm
MC7200-20K4-11mmQ4	.625in	11.00mm	384	192	96	1/4-28	1/4-28	.188in	4.00mm
MC7200-20-14	.625in	.438in	384	192	96	1/4-28	1/4-28	---	---
MC7200-20-15	.625in	.469in	384	192	96	1/4-28	1/4-28	---	---
MC7200-20-16	.625in	.500in	384	192	96	1/4-28	1/4-28	---	---
MC7200-20K3-16K3	.625in	.500in	384	192	96	1/4-28	1/4-28	.125in	.125in
MC7200-20K4-16	.625in	.500in	384	192	96	1/4-28	1/4-28	.188in	---
MC7200-20K4-16K3	.625in	.500in	384	192	96	1/4-28	1/4-28	.188in	.125in
MC7200-20K4-16W04	.625in	.500in	384	192	96	1/4-28	1/4-28	.188in	.126in
MC7200-20K6-16K3	.625in	.500in	384	192	96	1/4-28	1/4-28	.313in	.125in
MC7200-20W06-16K3	.625in	.500in	384	192	96	1/4-28	1/4-28	.189in	.125in
MC7200-20K4-14mmQ5	.625in	14.00mm	384	192	96	1/4-28	1/4-28	.188in	5.00mm
MC7200-20-20	.625in	.625in	384	192	96	1/4-28	1/4-28	---	---
MC7200-20K3-20K3	.625in	.625in	384	192	96	1/4-28	1/4-28	.125in	.125in
MC7200-20K4-20	.625in	.625in	384	192	96	1/4-28	1/4-28	.188in	---
MC7200-20K4-20K4	.625in	.625in	384	192	96	1/4-28	1/4-28	.188in	.188in
MC7200-20K4-20W04	.625in	.625in	384	192	96	1/4-28	1/4-28	.188in	.126in
MC7200-16mm-20K4	16.00mm	.625in	384	192	96	1/4-28	1/4-28	---	.188in
MC7200-16mmQ5-20K4	16.00mm	.625in	384	192	96	1/4-28	1/4-28	5.00mm	.188in
MC7200-16mm-16mm	16.00mm	16.00mm	384	192	96	1/4-28	1/4-28	---	---
MC7200-16mmQ5-16mmQ5	16.00mm	16.00mm	384	192	96	1/4-28	1/4-28	5.00mm	5.00mm
MC7200-17.63mmK4-20K4	17.63mm	.625in	258	179	89	1/4-28	1/4-28	.188in	.188in
MC7200-19mmQ6-19mmQ6	19.00mm	19.00mm	336	168	84	1/4-28	1/4-28	6.00mm	6.00mm

# TABULATED DATA

Copyright HELICAL PRODUCTS CO INC

MATERIAL: 17-4PH CRES HT

FINISH: Natural

Drawing Number

**MC7200**

REV

DO NOT SCALE DRAWING

SHT 4 of 5

ITEM DESCRIPTION (Part Number)	BORE SIZES		TORQUES (lbin)			SET SCREW THREAD		KEYWAY DIMS Width	
	TOLERANCE +0.002in or +0.05mm -0.000in or 0		Momentary Dynamic	Non- Reversing	Shock or Reversing	B1	B2	TOLERANCE +0.002in or +0.05mm -0.000in or 0	
	Ø A1	Ø A2						W1	W2
MC7200-24-8	.750in	.250in	336	168	84	1/4-28	#10-32	---	---
MC7200-24-10	.750in	.313in	336	168	84	1/4-28	1/4-28	---	---
MC7200-24K4-10	.750in	.313in	336	168	84	1/4-28	1/4-28	.188in	---
MC7200-24-12	.750in	.375in	336	168	84	1/4-28	1/4-28	---	---
MC7200-24K3-12K1	.750in	.375in	336	168	84	1/4-28	1/4-28	.125in	.094in
MC7200-24K4-12	.750in	.375in	336	168	84	1/4-28	1/4-28	.188in	---
MC7200-24-9.96mm	.750in	9.96mm	336	168	84	1/4-28	1/4-28	---	---
MC7200-24-10mm	.750in	10.00mm	336	168	84	1/4-28	1/4-28	---	---
MC7200-24K4-10mm	.750in	10.00mm	336	168	84	1/4-28	1/4-28	.188in	---
MC7200-24K4-10mmQ3	.750in	10.00mm	336	168	84	1/4-28	1/4-28	.188in	3.00mm
MC7200-24-16	.750in	.500in	336	168	84	1/4-28	1/4-28	---	---
MC7200-24K3-16K3	.750in	.500in	336	168	84	1/4-28	1/4-28	.125in	.125in
MC7200-24K4-16	.750in	.500in	336	168	84	1/4-28	1/4-28	.188in	---
MC7200-24K4-16K3	.750in	.500in	336	168	84	1/4-28	1/4-28	.188in	.125in
MC7200-24K4-16K4	.750in	.500in	336	168	84	1/4-28	1/4-28	.188in	.188in
MC7200-24W06-16	.750in	.500in	336	168	84	1/4-28	1/4-28	.189in	---
MC7200-24W06-16K3	.750in	.500in	336	168	84	1/4-28	1/4-28	.189in	.125in
MC7200-24W06-16W04	.750in	.500in	336	168	84	1/4-28	1/4-28	.189in	.126in
MC7200-24W06-16W06	.750in	.500in	336	168	84	1/4-28	1/4-28	.189in	.189in
MC7200-24K4-14mmQ5	.750in	14.00mm	336	168	84	1/4-28	1/4-28	.188in	5.00mm
MC7200-24-18	.750in	.563in	336	168	84	1/4-28	1/4-28	---	---
MC7200-24-15mm	.750in	15.00mm	336	168	84	1/4-28	1/4-28	---	---
MC7200-24-20	.750in	.625in	336	168	84	1/4-28	1/4-28	---	---
MC7200-24-20K4	.750in	.625in	336	168	84	1/4-28	1/4-28	---	.188in
MC7200-24K4-20	.750in	.625in	336	168	84	1/4-28	1/4-28	.188in	---
MC7200-24K4-20K3	.750in	.625in	336	168	84	1/4-28	1/4-28	.188in	.125in
MC7200-24K4-20K4	.750in	.625in	336	168	84	1/4-28	1/4-28	.188in	.188in
MC7200-24K4-20W06	.750in	.625in	336	168	84	1/4-28	1/4-28	.188in	.189in
MC7200-24W06-20K4	.750in	.625in	336	168	84	1/4-28	1/4-28	.189in	.188in
MC7200-24K4-16mmQ5	.750in	16.00mm	336	168	84	1/4-28	1/4-28	.188in	5.00mm
MC7200-24K4-19mmQ6	.750in	19.00mm	336	168	84	1/4-28	1/4-28	.188in	6.00mm
MC7200-24-24	.750in	.750in	336	168	84	1/4-28	1/4-28	---	---
MC7200-24K4-24	.750in	.750in	336	168	84	1/4-28	1/4-28	.188in	---
MC7200-24K4-24K4	.750in	.750in	336	168	84	1/4-28	1/4-28	.188in	.188in
MC7200-24K5-24K4	.750in	.750in	336	168	84	1/4-28	1/4-28	.250in	.188in
MC7200-24W06-24W06	.750in	.750in	336	168	84	1/4-28	1/4-28	.189in	.189in

